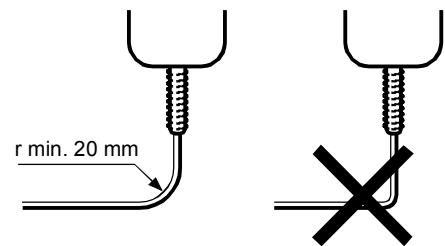
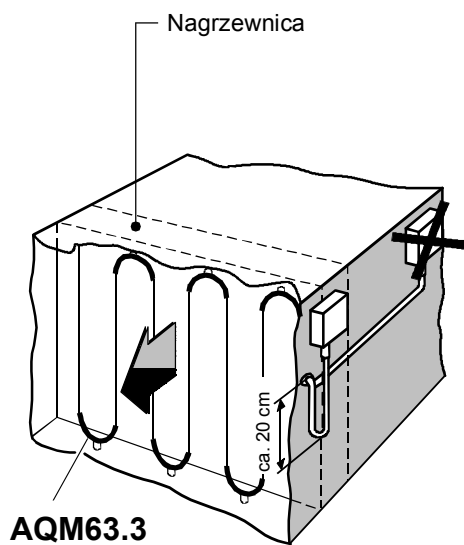


Temperatura otoczenia t_{amb}

$$t_{amb} = X_K + \text{min. } 2 \text{ K } (^{\circ}\text{C})$$



AQM63.3

