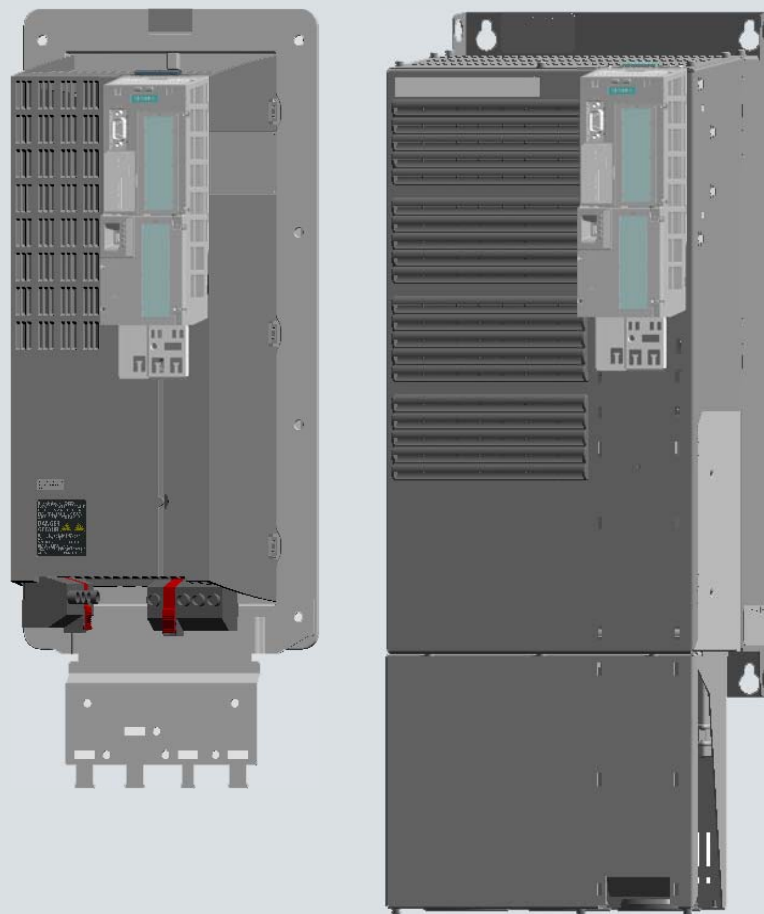


SINAMICS G120P

Power Module PM230, IP20 / Push through

Hardware Installation Manual · 03/2012



SINAMICS

Answers for industry.

SIEMENS

SIEMENS

SINAMICS

SINAMICS G120P Power Module PM230, IP20 / Push through

Hardware Installation Manual

<u>Introduction</u>	1
<u>Safety notes</u>	2
<u>Installing/Mounting</u>	3
<u>Connecting</u>	4
<u>Service and maintenance</u>	5
<u>Technical specifications</u>	6
<u>Accessories</u>	7
<u>Appendix</u>	A

03/2012 Edition




03/2012

A5E03448282B AA

Legal information

Warning notice system

This manual contains notices you have to observe in order to ensure your personal safety, as well as to prevent damage to property. The notices referring to your personal safety are highlighted in the manual by a safety alert symbol, notices referring only to property damage have no safety alert symbol. These notices shown below are graded according to the degree of danger.

 DANGER
indicates that death or severe personal injury will result if proper precautions are not taken.
 WARNING
indicates that death or severe personal injury may result if proper precautions are not taken.
 CAUTION
with a safety alert symbol, indicates that minor personal injury can result if proper precautions are not taken.
CAUTION
without a safety alert symbol, indicates that property damage can result if proper precautions are not taken.
NOTICE
indicates that an unintended result or situation can occur if the relevant information is not taken into account.


If more than one degree of danger is present, the warning notice representing the highest degree of danger will be used. A notice warning of injury to persons with a safety alert symbol may also include a warning relating to property damage.

Qualified Personnel

The product/system described in this documentation may be operated only by **personnel qualified** for the specific task in accordance with the relevant documentation, in particular its warning notices and safety instructions. Qualified personnel are those who, based on their training and experience, are capable of identifying risks and avoiding potential hazards when working with these products/systems.

Proper use of Siemens products

Note the following:

 WARNING
Siemens products may only be used for the applications described in the catalog and in the relevant technical documentation. If products and components from other manufacturers are used, these must be recommended or approved by Siemens. Proper transport, storage, installation, assembly, commissioning, operation and maintenance are required to ensure that the products operate safely and without any problems. The permissible ambient conditions must be complied with. The information in the relevant documentation must be observed.

Trademarks

All names identified by ® are registered trademarks of Siemens AG. The remaining trademarks in this publication may be trademarks whose use by third parties for their own purposes could violate the rights of the owner.

Disclaimer of Liability

We have reviewed the contents of this publication to ensure consistency with the hardware and software described. Since variance cannot be precluded entirely, we cannot guarantee full consistency. However, the information in this publication is reviewed regularly and any necessary corrections are included in subsequent editions.

Table of contents

1	Introduction	7
2	Safety notes	9
3	Installing/Mounting	13
3.1	Installation conditions.....	13
3.2	Power losses and air cooling requirements	14
3.3	Mounting the Power Modules	16
3.3.1	Build-in Power Modules - IP20.....	16
3.3.2	Push-through Power Modules - IP54.....	19
3.4	Control Unit installation	22
4	Connecting	23
4.1	Mains and Motor Connection	24
4.1.1	Motor cable length	25
4.1.2	Motor connection	25
4.1.3	Mains and Motor Terminals, FSA ... FSC	26
4.1.4	Mains and Motor Terminals, FSD ... FSF	26
4.2	EMC compliant connection	27
4.2.1	Avoiding electromagnetic interference.....	27
4.2.2	EMC-compliant cabinet design	27
4.2.3	Cabinet design	28
4.2.4	Cabling	29
4.2.5	Equipotential bonding	31
4.2.6	EMC-compliant wiring	34
5	Service and maintenance	37
5.1	Maintenance.....	37
5.2	Replacing the cooling fan.....	38
6	Technical specifications	41
6.1	Specifications.....	44
6.2	Derating data.....	50
6.2.1	Operational temperature and temperature derating	50
6.2.2	Operational altitude and altitude deratings	50
6.2.3	Operational power and voltage derating.....	51
6.2.4	Current reduction depending on pulse frequency.....	51
6.3	Permissible shock and vibration values.....	52
7	Accessories	53
7.1	Mounting Frames	53

A	Appendix.....	55
	A.1 Further information on your converter.....	55
	A.1.1 Manuals for your inverter	55
	A.1.2 Configuring support.....	56
	A.1.3 Product Support	56
	A.2 Electromagnetic compatibility	57
	A.2.1 Definition of the EMC Environment and Categories	57
	A.2.2 Compliance with EMC Environment and Categories.....	58
	A.2.3 EMC limit values in South Korea	59
	A.3 Standards.....	60
	A.4 Abbreviations	61
	Index.....	63

Introduction

Power Modules PM230

The Power Module PM230 is part of the modular inverter family SINAMICS G120.

PM230 Power Modules, are focused on the HVAC industry sector especially for pump and fan applications.

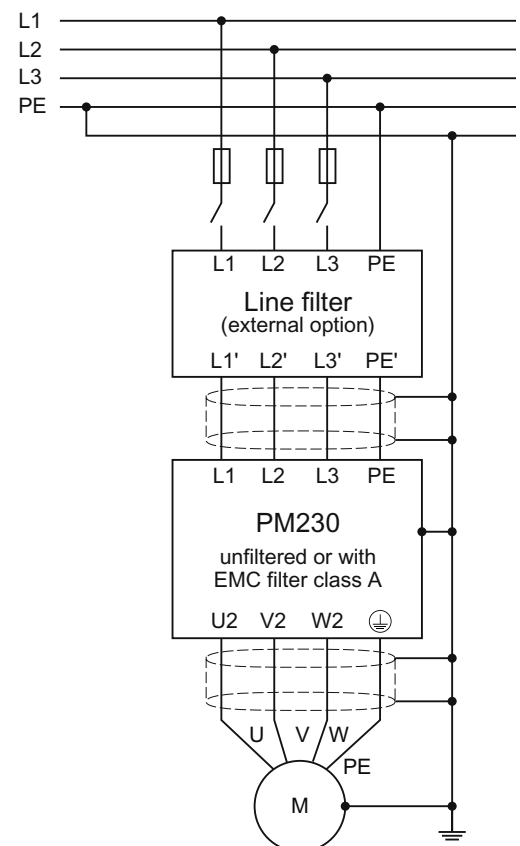
The Power Modules are available with class-A filter or unfiltered in a rated-power range from 0.37 kW ... 90 kW and a line voltage range from 3 AC 380 V ... 480 V.

In the design of the Power Modules the following power distribution systems have been considered:

- TN
- TT (only unfiltered Power Modules)
- IT (only unfiltered Power Modules)

Note:

The sign "⊕" is equivalent to the designation "PE".



Block diagram PM230

The Power Modules can be used with the following Control Units including all communication variants with firmware version 4.4 or higher.

- CU230P-2
- CU240B-2
- CU240E-2

Operation with any other Control Units as listed above is not permitted.

Note

Failsafe functions are not supported by the PM230.

It has to be ensured by the machine manufacturer, that the line-side overcurrent protection equipment interrupts within 5 s (immovable equipment and modules in immovable equipment) in the case of minimum fault current (current on complete insulation failure to accessible conductive parts that are not live during operation and maximum current loop resistance).

The machine manufacturer must ensure that the voltage drop between the main power supply and the power drive system, during operation, does not exceed 1 % (UK < 1 %).

General



WARNING

This equipment controls potentially dangerous rotating mechanical parts.

Protection in case of direct contact by means of voltages < 60 V (PELV = Protective Extra Low Voltage acc. to EN 61800-5-1) is only permissible in areas with equipotential bonding and in dry indoor rooms. If these conditions are not fulfilled, other protective measures against electric shock must be applied e.g. protective insulation.

The converter must always be grounded.

Install the converter on a metal mounting plate in a control cabinet. The mounting plate has to be unpainted and with a good electrical conductivity.

It is strictly prohibited for any mains disconnection to be performed on the motor-side of the system, if the converter is in operation and the output current is not zero.

Take particular notice of the general and regional installation and safety regulations regarding work on dangerous voltage installations (e.g. 61800-5-1) as well as the relevant regulations regarding the correct use of tools and personal protective equipment (PPE).



CAUTION

Static discharges on surfaces or interfaces (e.g. terminal or connector pins) can cause malfunctions or defects. Therefore, when working with converters or converter components, ESD protective measures should be observed.



DANGER

Dangerous voltage!

Hazardous voltage is still present for up to 5 minutes after the power supply has been switched off. Do not to carry out any installation work before this time has expired!



! WARNING

Protective earthing conductor current

As the earth leakage for the inverter can be greater than AC 3.5 mA, a fixed earth connection is required and the minimum size of the protective earth conductor shall comply with the local safety regulations for high leakage current equipment.

The inverter can cause a DC current in the protective earthing conductor. Where a residual current-operated protective (RCD) or monitoring (RCM) device is used for protection in case of direct or indirect contact, only an RCD or RCM of Type B superresistant is allowed on the supply side of the inverter.

Transport and storage

! CAUTION

Don't drop the converter or converter components during transport and storage. Protect the equipment from water (rainfall) and excessive temperatures.

Installation and Commissioning

! WARNING

Wherever faults occurring in the control equipment can lead to substantial material damage or even grievous bodily injury (that is, potentially dangerous faults), additional external precautions must be taken or facilities provided to ensure or enforce safe operation, even when a fault occurs (e.g. independent limit switches, mechanical interlocks, etc.).

Operation

! DANGER

Operating the converter outside the scope of the specification given in the technical specifications may cause malfunction or damage to the converter components. In exceptional cases there is the potential to cause overheating, danger of fire, damage to property, personal injury or loss of life.

! WARNING

Emergency stop facilities according to EN 60204, IEC 204 (VDE 0113) must remain operative in all operating modes of the control equipment. Any disengagement of the emergency stop facility must not lead to an uncontrolled or an undefined restart of the equipment.

! WARNING

Use of mobile radio devices (e.g. telephones, walkie-talkies) in the immediate vicinity of the devices (< 1.8 m) can interfere with the functioning of the equipment.

! WARNING

Filtered drives can only be used on power systems with grounded neutral point.

**! WARNING**

During operation and for a short time after switching-off the converter, the surfaces of the converter can reach a high temperature. Avoid coming into direct contact with the converter surface.

! CAUTION

This equipment is suitable for use in a power system up to 65,000 symmetrical amperes (rms), for the maximum rated voltage + 10 % when protected by an appropriate standard fuse (refer to the catalogue for the type of fuse).

Repair

! WARNING

Repairs on equipment may only be carried out by Siemens Service, by repair centers authorized by Siemens or by authorized personnel who are thoroughly acquainted with all the warnings and operating procedures contained in this manual.

Any defective parts or components must be replaced using parts contained in the relevant spare parts list.

Dismantling and disposal

CAUTION

The packaging of the inverter is re-usable. Retain the packaging for future use.

Easy-to-release screw and snap connectors allow you to break the unit down into its component parts. You can recycle these component parts, dispose of them in accordance with local requirements or return them to the manufacturer.

Residual risks

The control and drive components of a power drive system (PDS) are approved for industrial and commercial use in industrial line supplies. Their use in public line supplies requires a different configuration and/or additional measures.

These components may only be operated in closed housings or in higher-level control cabinets with protective covers that are closed, and when all of the protective devices are used.

These components may only be handled by qualified and trained technical personnel who are knowledgeable and observe all of the safety information and instructions on the components and in the associated technical user documentation.

When carrying out a risk assessment of a machine in accordance with the EU Machinery Directive, the machine manufacturer must consider the following residual risks associated with the control and drive components of a PDS.

1. Unintentional movements of driven machine components during commissioning, operation, maintenance, and repairs caused by, for example:
 - Hardware defects and/or software errors in the sensors, controllers, actuators, and connection technology
 - Response times of the controller and drive
 - Operating and/or ambient conditions not within the scope of the specification
 - Condensation / conductive contamination
 - Parameterization, programming, cabling, and installation errors
 - Use of radio devices / cellular phones in the immediate vicinity of the controller
 - External influences / damage
2. Exceptional temperatures as well as emissions of noise, particles, or gas caused by, for example:
 - Component malfunctions
 - Software errors
 - Operating and/or ambient conditions not within the scope of the specification
 - External influences / damage
3. Hazardous shock voltages caused by, for example:
 - Component malfunctions
 - Influence of electrostatic charging
 - Induction of voltages in moving motors
 - Operating and/or ambient conditions not within the scope of the specification
 - Condensation / conductive contamination
 - External influences / damage
4. Electrical, magnetic and electromagnetic fields generated in operation that can pose a risk to people with a pacemaker, implants or metal replacement joints, etc. if they are too close.
5. Release of environmental pollutants or emissions as a result of improper operation of the system and/or failure to dispose of components safely and correctly.

Installing/Mounting

3.1 Installation conditions

General rules for the environmental protection of the Power Modules

To ensure that the power module is installed in the correct environmental conditions, please ensure that you adhere to the following guidelines:

- The Power Modules are designed
 - to be installed in an electrical cabinet
 - with protection against the ingress of solid foreign objects ≥ 12.5 mm
 - without protection against the ingress of water

Note

Push through units

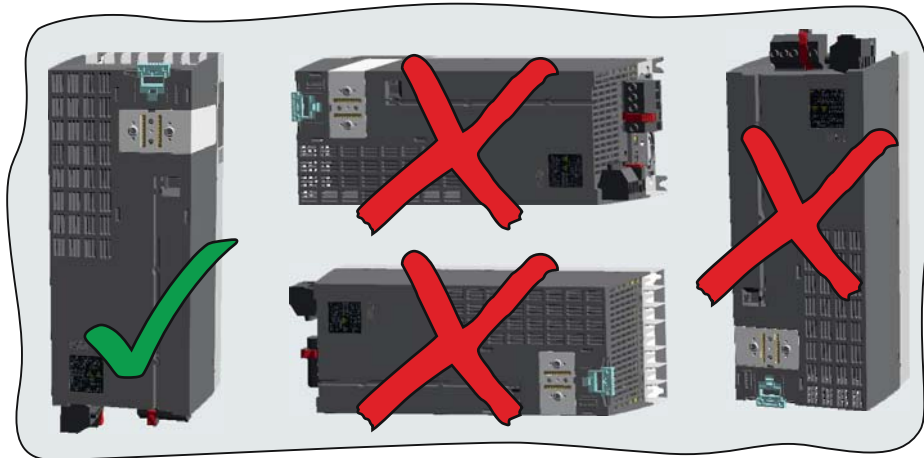
The Power Module as a whole is IP20 rated.

If it is installed in a cabinet which is IP54 rated, the Push through units can maintain the IP54 protection rating of the cabinet, if the appropriate seals are used when mounting the rear of the Power Module through the back of the cabinet.

According to UL the Push through units only fulfill the requirements of an open type component.

- Furthermore take care of the following conditions:
 - Keep it free from dust and dirt
 - Keep it away from water, solvents and chemicals
Take care to site it away from potential water hazards, for example, do not install it beneath pipes that are subject to condensation. Avoid installing it where excessive humidity and condensation may occur
 - Keep it within the maximum and minimum operating temperatures
 - Ensure that the correct level of ventilation and air flow is provided
 - Ensure that earthing and grounding practices for each Power Module and the cabinet follows the guidelines given in section Connecting (Page 23).

The Power Module must only be installed in vertical direction as shown in the figure.



<p>! WARNING</p> <p>To ensure the safe operation of the equipment, it must be installed and commissioned by qualified personnel in full compliance with the warnings laid down in this manual.</p> <p>Take particular note of the general and regional installation and safety regulations regarding work on dangerous voltage installation (e.g. EN 61800-5-1) as well as the relevant regulations regarding the correct use of tools and personal protective equipment (PPE).</p>
--

3.2 Power losses and air cooling requirements

Cooling requirements

Depending on the power losses of the various components a specific cooling air flow is required to protect the components from overheating. The following procedure shows how to calculate the required air flow.

1. Add the power losses of the respective components
2. Calculate the airflow required, using the formula

$\text{Air flow [l/s]} = \frac{\text{Power loss [W]}}{\Delta T \text{ [K]}} * 0.86$ <p>ΔT: allowable temperature rise in the cabinet</p>

3. Ensure that no equipment is installed that has a negative influence on the flow of the cooling air.
4. Ensure that the cooling vents in the Power Module are positioned correctly to allow the free movement of air.

5. Avoid short circuits of the cooling air using air barriers, if necessary

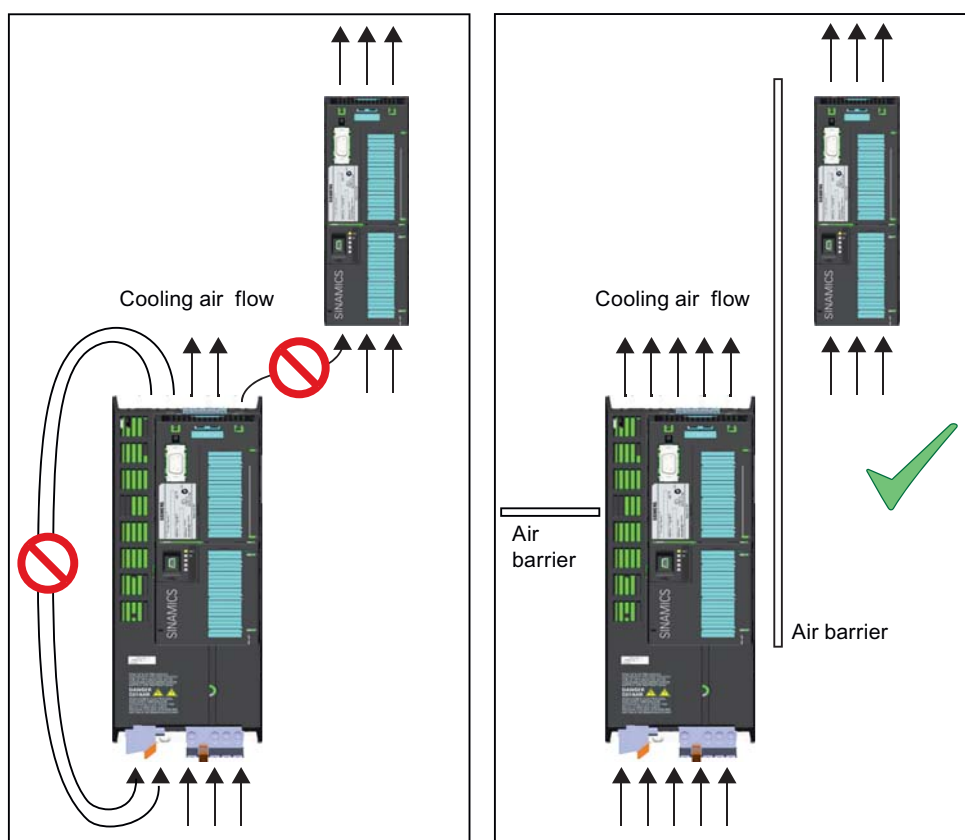


Figure 3-1 Air barriers for avoiding cooling air short circuits

6. Provide an adequate cabinet with sufficient ventilation and suitable air filters.

The power losses and the required air flow of the Power Modules are given in the section Specifications (Page 44) of this Manual. The maximum power losses of the CU are less than 0.04 kW.

The values are valid for:

- Rated output current
- 50 Hz output frequency
- 4 kHz pulse frequency

If you use Push through units, you should calculate with losses of 0.02 kW inside the cabinet. Take care that the losses outside the cabinet do not cause overheating of the Power Modules.

For other components like reactors or filters use the values given by the manufacturer and calculate the required airflow using the formula given in this section.

3.3 Mounting the Power Modules

The Power Modules are designed to be mounted in accordance with the dimensional drawings, in a cabinet using bolts, nuts and washers.

Note

EMC

- Due to EMC, it is recommended to fix the inverter on an electrically conductive cabinet wall. In case of a Push through unit the electrical connection is achieved by fixing the Power Module with the recommended bolts and screws on the electrical conductive cabinet wall.

Dimensions drawings

- The dimension drawings shown in the following figures are not true to scale.

3.3.1 Build-in Power Modules - IP20

Drill patterns, dimensions and distances of Power Modules PM230, IP20

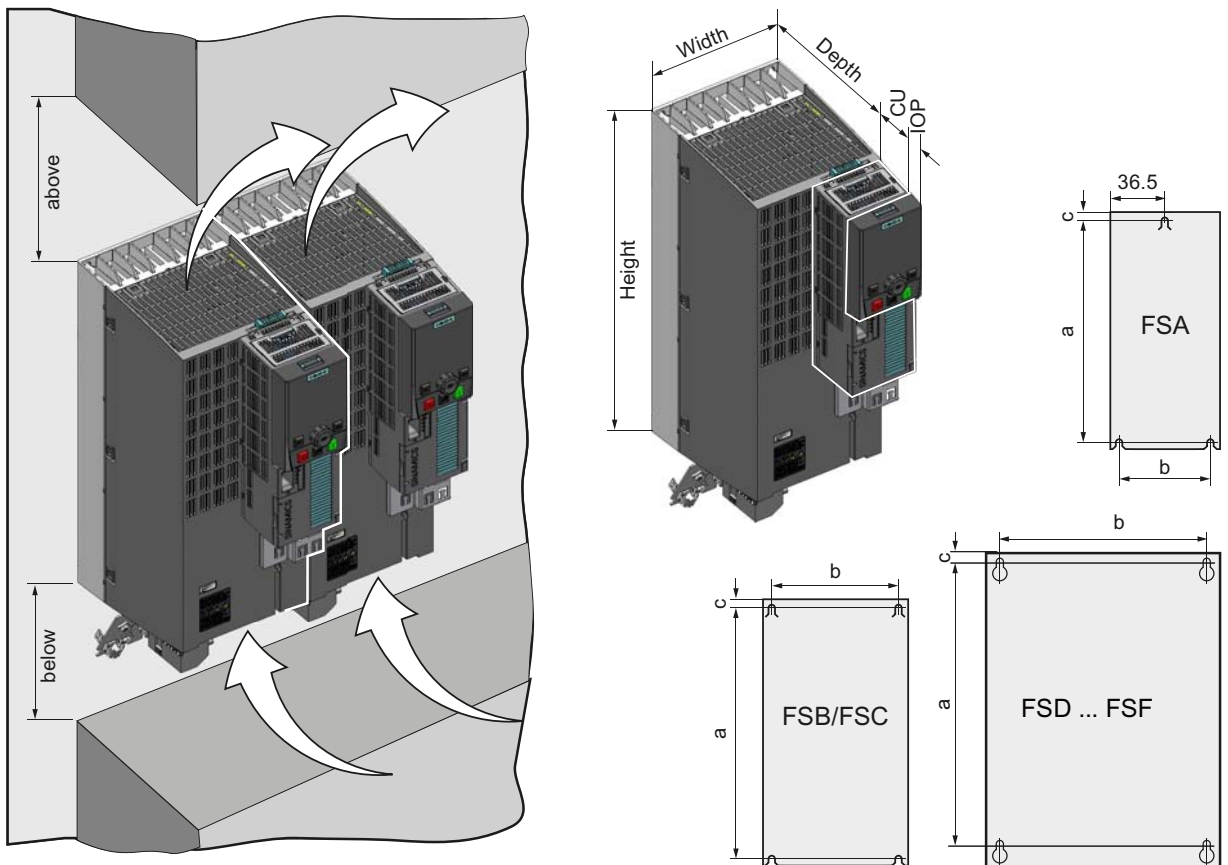


Table 3- 1 Dimensions and distances

Frame Size	Dimensions (mm)						Distances (mm) ³⁾	
	Height ¹⁾	Width	Depth ²⁾	a	b	c	Waste heat	Cooling air
FSA filtered /unfiltered	196	73	165	186	62.3	6	80	100
FSB filtered /unfiltered	292	100	165	281	80	6	80	100
FSC filtered /unfiltered	355	140	165	343	120	6	80	100
FSD unfiltered	419	275	204	325	235	11	300	300
FSD filtered	512	275	204	419	235	11	300	300
FSE unfiltered	499	275	204	405	235	11	300	300
FSE filtered	635	275	204	541	235	11	300	300
FSF unfiltered	634	350	316	598	300	11	350	350
FSF filtered	934	350	316	899	300	11	350	350
Fixing:	FSA/FSB: Screws M4, 2,5 Nm FSC: Screws M5, 3 Nm			FSD/FSE: Screws M6, 6 Nm FSF: Screws M8, 13 Nm				

- 1) Using a screen termination kit:
FSA: + 80 mm; FSB: + 78 mm; FSC: + 77 mm; FSD, FSE, FSF: + 123 mm
- 2) plus 58 mm using a CU230, plus 40 mm using a CU240,
plus another 10 mm or 25 mm using a BOP-2 or an IOP as Operator Panel (OP)
- 3) The Power Modules can be mounted side-by-side. Due to tolerance reasons, we recommend a lateral distance of about 1 mm

Mounting the shielding plate

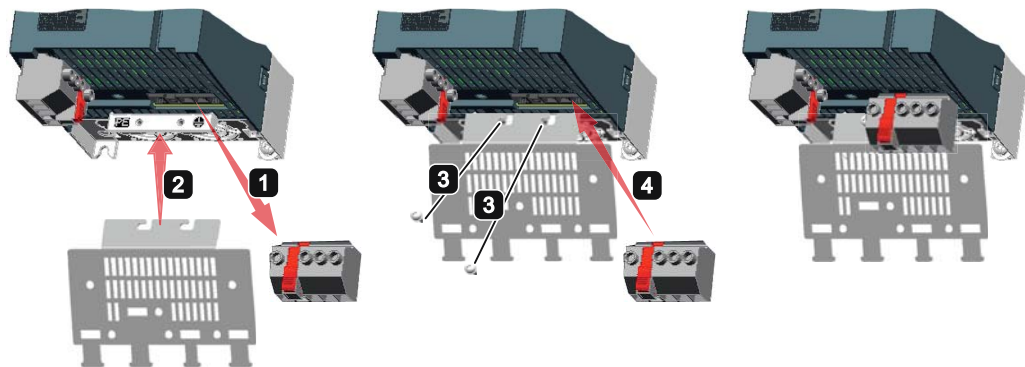


Figure 3-2 Mounting the shielding plate, FSA ... FSC

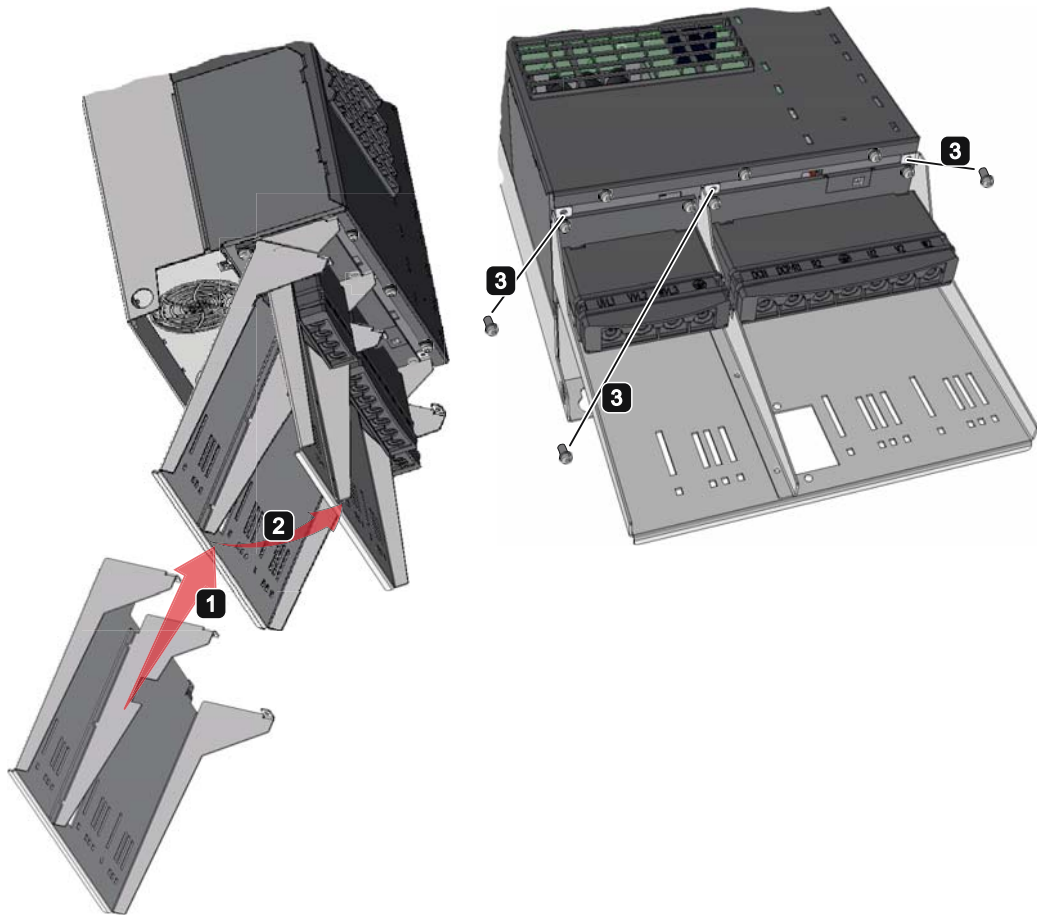


Figure 3-3 Mounting the shielding Plate, FSD ... FSF

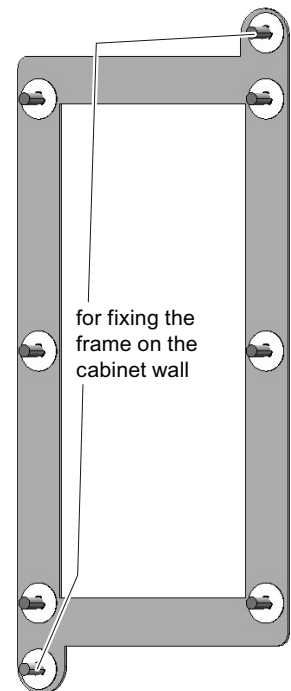
3.3.2 Push-through Power Modules - IP54

Mounting Frame

It is recommended that the optional mounting frame is used to install the Push through unit in a cabinet. The mounting frame contains the necessary seals and frame to maintain an IP54 rating. If the Power Module is mounted without using the optional mounting frame, it is the user's responsibility to ensure the correct IP protection rating is reached.

Mounting the Inverter with Mounting Frame

1. Prepare the cut-out and the fixing holes for the Power Module and the mounting frame in accordance with the dimensional drawing of the Mounting Frame.
2. Apply the mounting frame to the rear of the cabinet wall and fix it by hand into the cabinet using the appropriate bolts.
3. Attach the gasket on the inside surface of the cabinet.
4. Attach the inverter and fix it first by hand with all fixing screws.
5. Tighten the screws with a torque of 3 Nm.
6. To fulfill the EMC requirements it is essential that the inside cabinet wall is bare metal



Drill patterns, dimensions and distances of Power Modules PM230, PT

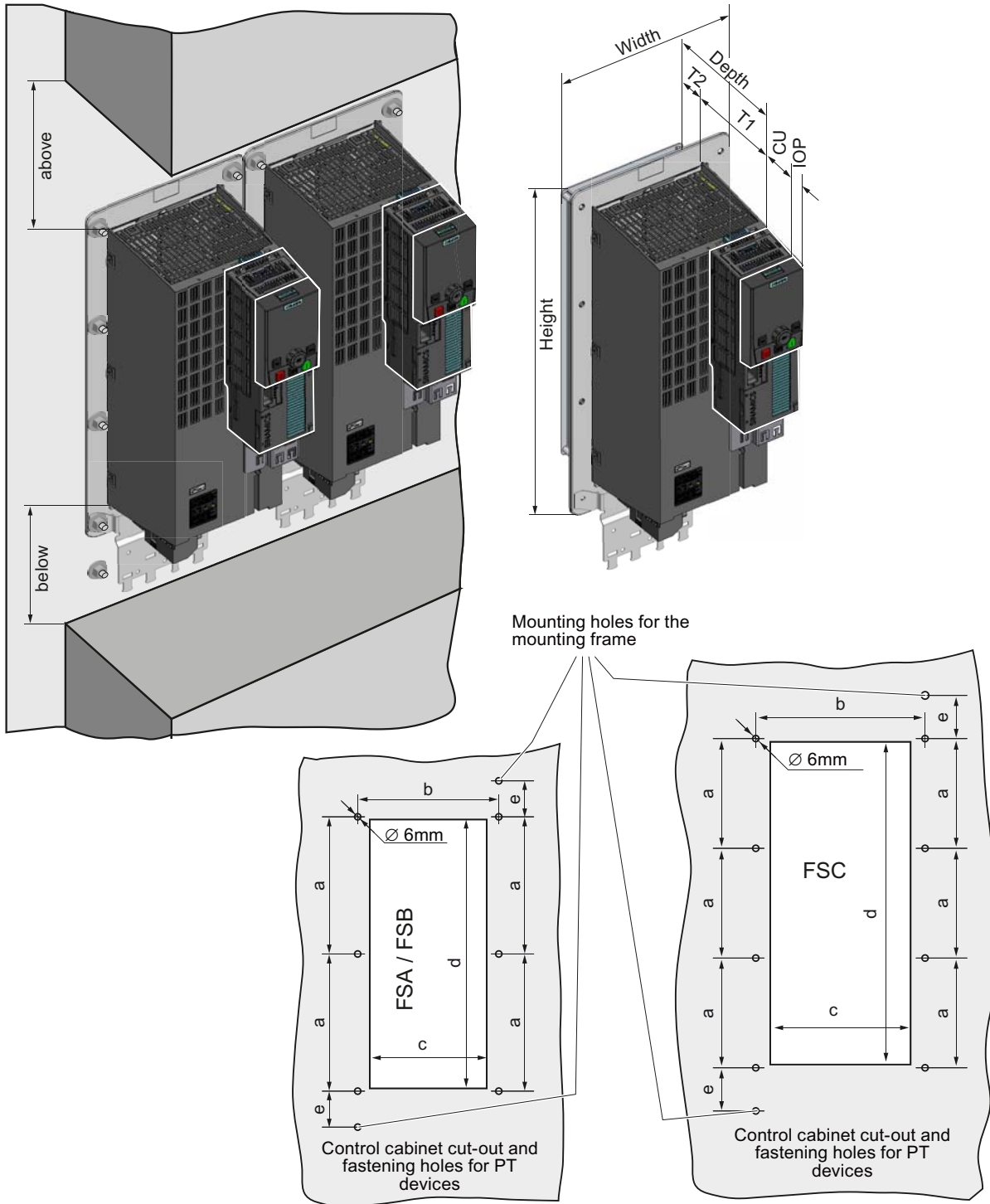


Table 3- 2 Dimensions

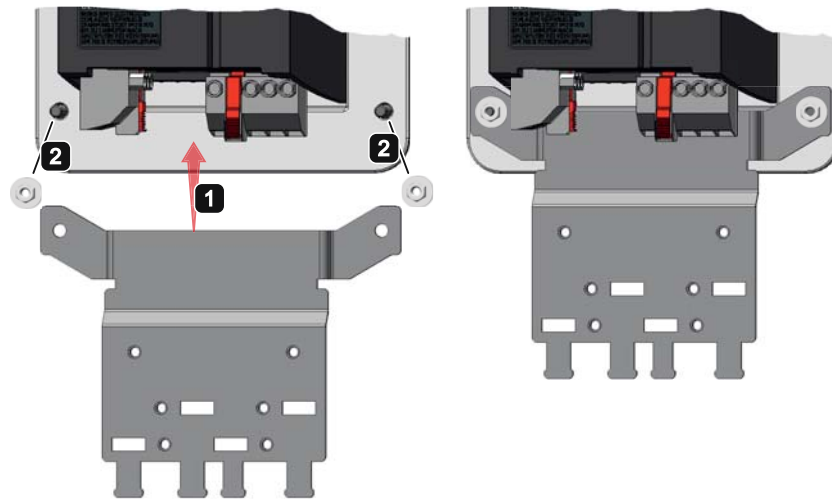
Frame Size	Dimensions (mm)									
	Height ¹⁾	Width	Depth ²⁾	D1	D2	a	b	c	d	e
FSA filtered /unfiltered	238	125.9	171	117.7	53,1	103	106	88	198	27
FSB filtered /unfiltered	345	153.9	171	117.7	53,1	147.5	134	116	304	34.5
FSC filtered /unfiltered	410,5	200	171	117.7	53,1	123	174	156	365	30.5
Fixing:	FSA/FSB/FSC: Screws M5, 3 Nm									

- 1) Using a screen termination kit:
FSA: + 84 mm; FSB: + 85 mm; FSC: + 89 mm
- 2) plus 58 mm using a CU230, plus 40 mm using a CU240,
plus another 10 mm or 25 mm using a BOP-2 or an IOP as Operator Panel (OP)

Distances

The Power Modules require a distance of 80 mm above and 100 mm below. They can be mounted side-by-side. Due to tolerance reasons, we recommend a lateral distance of about 1 mm.

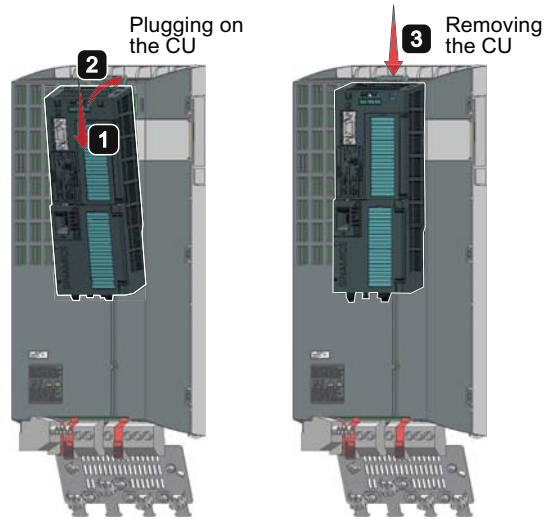
Mounting the shielding plate



3.4 Control Unit installation

The Control Unit is snapped onto the Power Module as shown in the figure. To disconnect the CU push the release button on top of the PM.

The process of fitting the Control Unit to the Power Module is the same technique independent from the type of Control Unit or Power Module.



Fitting the Control Unit to the Power Module

Connecting

Prerequisites

If the inverter is installed properly, mains and motor connections can be established. It is urgently required to comply with the following notes:

WARNING

Mains and motor connections

A fixed location, non varying connection is necessary because of a leakage current.

Isolate the mains electrical supply before making or changing connections to the unit.

The terminals of the Inverter can carry dangerous voltages even if the inverter is inoperative. Wait at least 5 minutes to allow the unit to discharge after switching off the mains supply before carrying out any installation work.

When connecting the mains supply to the inverter, make sure that the terminal case of the motor is closed.

When changing from the ON to OFF-state of an operation if an LED or other similar display is not lit or active; this does not indicate that the unit is switched-off or powered-down.

Ensure that the line voltage corresponds to the inverter input voltage – the inverter must not be connected to a higher line voltage.

Grounding and Protective earthing conductor current

The inverter must always be grounded. If it is not grounded correctly, extremely dangerous conditions may arise which could prove potentially fatal.

As the earth leakage for the inverter can be greater than AC 3.5 mA, a fixed earth connection is required and the minimum size of the protective earth conductor shall comply with the local safety regulations for high leakage current equipment.

In the case of doubt, use for grounding the same cable cross section as for the power cable, but at least 2.5 mm².

CAUTION

Operation with ungrounded (IT) supplies

Inverters with built-in filters or external filters can only be used in power systems with grounded starpoint and must not be used with IT or TT supplies.

If the inverter, connected to an IT supply, is required to remain operational if an output phase is connected to ground, the output reactor must be fitted to prevent overcurrent tripping or damage to the drive. The probability of overcurrent tripping without output reactor increases with the size of the IT supply.

 **CAUTION**

Operation with Residual Current Devices (RCD) or Monitoring (RCM) - only for FSA / FSB

The inverter can cause a DC current in the protective earthing conductor.

If an RCD - residual current-operated protective device (also referred to as an ELCB or a RCCB) or an RCM - residual current-operated monitoring device - is fitted for protection in case of direct or indirect contact, the inverter will operate without nuisance tripping provided that:

- An RCD/RCM type B superresistant is used (e.g. a SIQUENCE circuit breaker by Siemens).
- The trip limit of the RCD/RCM is 300 mA
- The neutral of the supply is grounded
- Only one inverter is supplied from each RCD/RCM
- The output cables are less than 50 m screened

If no RCD/RCM is used, the touch protection can be achieved by double insulation or by separating the inverter from the mains system using a transformer.

Note

Ensure that the appropriate circuit-breakers or fuses with the specified current rating are connected between the power supply and the inverter. The technical data contain information about the circuit breaker and fuses (see Specifications).

4.1 Mains and Motor Connection

Inverter terminal layout see Mains and Motor Terminals (Page 26).

For all connections carefully observe the regulations for EMC compliant connection (Page 27).

Mains connection

If available, open the terminal covers of the inverter.

Connect the protective conductor of the power supply cable to terminal PE of the inverter.

Connect the power supply cable to terminals U1/L1, V1/L2 and W1/L3.

Note

Unfiltered inverters can be connected to grounded (TN, TT) and non-grounded (IT) power supply systems.

Inverters with a line filter - internal or external - are suitable only for connection to TN power supply systems.

4.1.1 Motor cable length

The inverters will operate at full specification with cable lengths as follows:

Table 4- 1 Permissible cable length, depending on the EMI level

Using	Maximum cable length	EMI Level
Screened cables, filtered units (class A)	25 m	Second Environment, C2 *)
Screened cables, filtered units (class A)	50 m	Second Environment, C3 *)

*) EMC compliant connection required, see also EMC compliant connection (Page 27)

Table 4- 2 Maximum cable length

Using	Maximum cable length	EMI Level
Screened cables, unfiltered units,	50 m	EMI Standard not fulfilled
Unscreened cables, filtered or unfiltered units	100 m	EMI Standard not fulfilled

The permissible motor cable length also depends on the cable type and the chosen pulse frequency (Page 51).

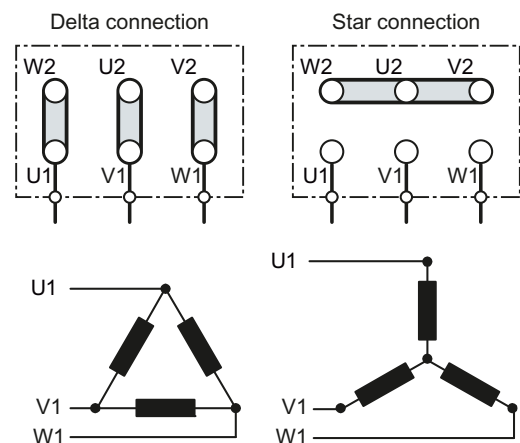
4.1.2 Motor connection

Star and delta connection

Siemens motors show on the inside of the terminal box a diagram of both connection methods:

- Star connection (Y)
- Delta connection (Δ)

The motor rating plate provides information about the correct connection data.



Connecting the motor

Connect the protective conductor of the motor to the PE terminal of the inverter.

Connect the motor cable to terminals U2, V2 and W2.

If available, close the terminal covers of the inverter.

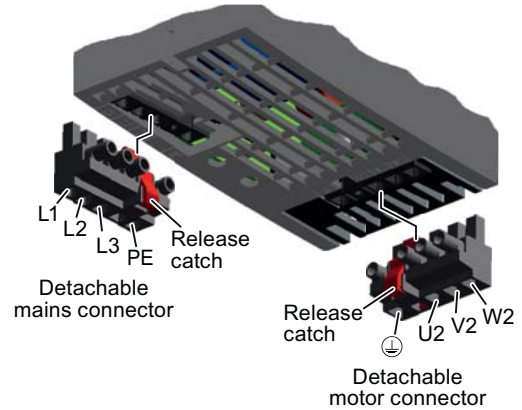
4.1.3 Mains and Motor Terminals, FSA ... FSC

The figure shows the layout of mains and motor terminals.

The Power Modules are fitted with two-part-connectors. The removable part of the connector can be unplugged from the power module by pressing the release catch. The connectors cannot be interchanged.

Tightening torques:

- FSA 0.4 Nm ... 0.5 Nm (4 lbf in)
- FSB 0.55 Nm ... 0.6 Nm (5 lbf in)
- FSC 1.2 Nm ... 1.5 Nm (11 ... 13 lbf in)

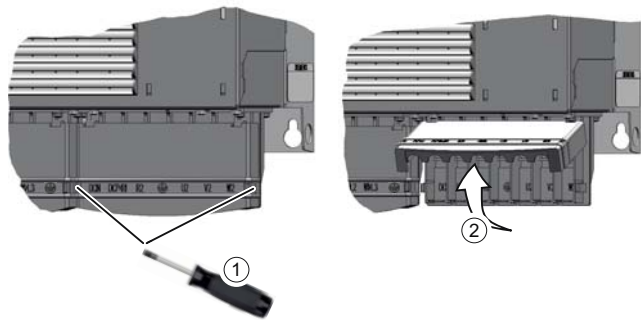


4.1.4 Mains and Motor Terminals, FSD ... FSF

Access to Power and Motor Terminals

To get access to the power and motor terminals, adhere the following steps:

1. Release the latch on each side of the terminal covers with a suitable flat-bladed screwdriver
2. Turn the terminal covers upwards and lock into position

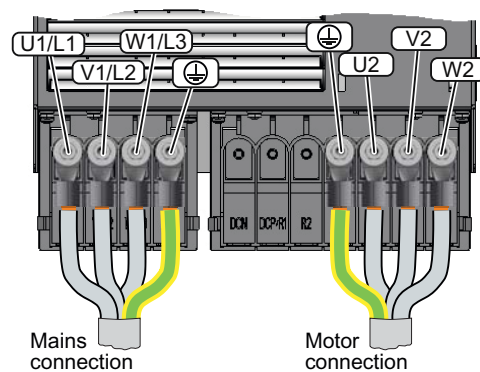


Mains and Motor Terminals

The figure shows the layout of the mains and motor terminals.

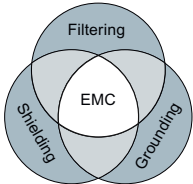
Tightening torques:

- FSD 6 Nm (53 lbf in)
- FSE 6 Nm (53 lbf in)
- FSF 13 Nm (115 lbf in)



4.2 EMC compliant connection

4.2.1 Avoiding electromagnetic interference



Only the concurrent use of filtering, grounding and shielding ensure an installation in accordance with the EMC requirements.

The next sections cover all of the most important rules for the installation of inverter and drive systems.

4.2.2 EMC-compliant cabinet design

The most cost-effective method of implementing interference suppression measures within the control cabinet is to ensure that interference sources and potentially susceptible equipment are installed separately from each other. This must be taken into account already during the planning phase.

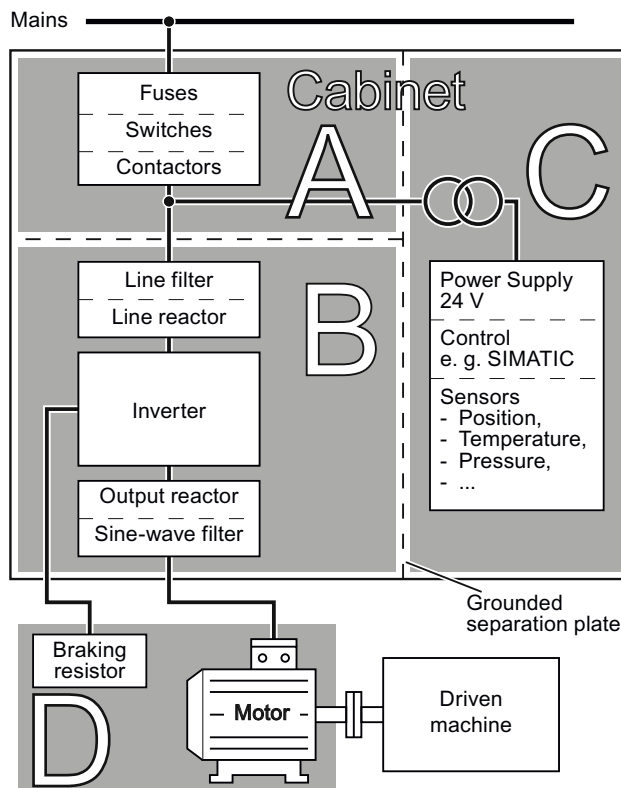
EMC-zone concept within the control cabinet

The control cabinet has to be divided into EMC zones and the devices within the control cabinet have to be assigned to these zones. The example below illustrates this zone concept in greater detail.

The different zones must be electromagnetically decoupled. One method is to ensure that the zones are not positioned directly next to each other (minimum distance app. 25 cm / 9.84 in). A better, more compact method, however, is to use separate metallic housings or separation plates with large surface areas.

Cables within each zone can be unshielded. Cables connecting different zones must be separated and must not be routed within the same cable harness or cable channel. If necessary, filters and/or coupling modules should be used at the interfaces of the zones. Coupling modules with electrical isolation are an effective means of preventing interference from spreading from one zone to another.

All communication and signal cables leaving the cabinet must be shielded. For longer, analog signal cables isolating amplifiers should be used. Sufficient space for bonding the cable shields must be provided, whereby the braided cable shield must be connected to the cabinet ground with excellent electrical conductivity and with a large contact area. Differences in the ground potential between the zones must be avoided to ensure that impermissible, high compensating currents are kept away from the cable shields.



- **Zone A:**
Supply connection
Limit values for conducted interference emissions and conducted interference immunity must not be exceeded

- **Zone B:**
Power electronics
Sources of interference

- **Zone C:**
Controller and sensors
Potentially susceptible equipment

- Zone D:**
Motor, braking resistor and according cables
Sources of interference

Division of the cabinet and installation into different EMC zones

4.2.3 Cabinet design

Control cabinet design

- All metallic components of the cabinet (side panels, back walls, roof plates, and floor plates) must be connected to the cabinet frame with excellent electrical conductivity, ideally with a large contact area or by means of several point-like screwed connections (i.e. to create a Faraday cage).
- The cabinet doors must be connected to the cabinet frame with excellent electrical conductivity by means of short, finely stranded, braided grounding strips, which are ideally placed at the top, in the middle, and at the bottom of the doors.
- The PE busbar and EMC shield busbar must be connected to the cabinet frame with excellent electrical conductivity with a large contact area.
- All metallic housings of devices and additional components integrated in the cabinet (such as converter or line filter) must be connected to the cabinet frame with excellent electrical conductivity and with a large contact area. The best option here is to mount devices and additional components on a bare metal mounting plate (back plane) with excellent electrical conductivity. This mounting plate must be connected to the cabinet frame and, in particular, to the PE and EMC shield busbars with excellent electrical conductivity and a large contact area.

- All connections should be made so that they are permanent. Screwed connections on painted or anodized metal components must be made either by means of special contact washers, which penetrate the isolating surface and establish a metallically conductive contact, or by removing the isolating surface on the contact points.
- Contactor coils, relays, solenoid valves, and motor holding brakes must have interference suppressors to reduce high-frequency radiation when the contacts are opened (RC elements or varistors for AC current-operated coils, and freewheeling diodes for DC current-operated coils). The interference suppressors must be connected directly on each coil.

4.2.4 Cabling

Cables inside the cabinet

- All power cables of the drive (line supply cables, cables to braking resistors, as well as motor cables) must be routed separately from signal and data cables. The minimum distance should be approximately 25 cm / 9.84 in. Alternatively decoupling in the cabinet can be implemented by means of separation plates connected to the mounting plate (back plane) with excellent electrical conductivity.
- Line supply cables running between the supply system and the line filter must be routed separately from non-filtered power cables (cables to braking resistors as well as motor cables).
- Signal and data cables, as well as filtered line supply cables, may only cross non-filtered power cables at right angles of 90° to minimize coupled-in interference.
- All cable lengths must be minimized (excessive cable lengths must be avoided).
- All cables must be routed as closely as possible to grounded housing components, such as mounting plates or the cabinet frame. This reduces interference radiation as well as coupled-in interference.
- Signal and data cables, as well as their associated equipotential bonding cables, must always be routed in parallel and with as short a distance as possible.
- When unshielded single-wire cables are used within a zone, the feed and return lines must be either routed in parallel with the minimum possible distance between them, or twisted with one another.
- Spare wires for signal and data cables must be grounded at both ends to create an additional shielding effect.
- Signal and data cables should enter the cabinet only at one point (e.g. from below).

Cables outside the cabinet

- All power cables (line supply cables, cables to braking resistors, as well as motor cables) must be routed separately from signal and data cables. The minimum distance should be approximately 25 cm / 9.84 in.
- The power cable between converter and motor must be shielded. A symmetrical, 3-wire, three-phase cable should be used here. Shielded cables with symmetrical three-phase conductors (L1, L2, and L3) and an integrated, 3-wire, and symmetrically arranged PE conductor are ideal for this purpose.
- The shielded power cable to the motor must be routed separately from the cables to the motor temperature sensors (PTC/KTY) and the cable to the encoder, since the latter two are treated as signal cables.
- Signal and data cables must be shielded to minimize coupled-in interference with respect to capacitive, inductive, and radiative coupling.
- Particularly sensitive signal cables, such as setpoint and actual value cables and, in particular, encoder cables must be routed with optimum shield bonding at both ends and without any interruptions of the shield.

Cable shields

- Shielded cables must have finely stranded braided shields. Foil shields are not suitable since they are much less effective.
- Shields must be connected to the grounded housings at both ends with excellent electrical conductivity and a large contact area. Only when this method is used coupled-in interference with respect to capacitive, inductive, and radiative coupling can be minimized.
- Bonding connections for the cable shields should be established, where ever possible, directly behind the cable entry into the cabinet. For power cables the EMC shield busbars should be used. For signal and data cables the shield bonding options provided in the cabinet units should be used.
- Cable shields should not be interrupted, wherever possible, by intermediate terminals.
- In the case of both, the power cables and the signal and data cables, the cable shields should be connected by means of suitable EMC shield clips. These must connect the shields to either the EMC shield busbar or the shield bonding options for signal cables with excellent electrical conductivity and a large contact area.
- As plug connectors for shielded data cables (e. g. PROFIBUS cables) only metallic or metallized connector housings should be used.

4.2.5 Equipotential bonding

Equipotential bonding

- Equipotential bonding within a cabinet element has to be established by means of a suitable mounting plate (back plane), to which all metallic housings of the devices and additional components integrated in the cabinet element (e. g. converter or line filter) are connected. The mounting plate has to be connected to the cabinet frame and to the PE or EMC busbar of the cabinet element with excellent electrical conductivity and a large contact area.
- Equipotential bonding between several cabinet elements has to be established by means of a PE busbar which runs through all the cabinet elements. In addition, the frames of the individual cabinet elements must be screwed together multiple times with sufficient electrical conductivity by means of special contact washers. If extremely long rows of cabinets are installed in two groups back to back, the two PE busbars of the cabinet groups must be connected to each other wherever possible.
- Equipotential bonding within the drive system has to be established by connecting all electrical and mechanical drive components (transformer, cabinet, motor, gearbox, and driven machine) to the grounding system. These connections are established by means of standard heavy-power PE cables, which do not need to have any special high-frequency properties. In addition to these connections, the converter (as the source of the high-frequency interference) and all other components in each drive system (motor, gearbox, and driven machine) must be interconnected with respect to the high-frequency point of view. For this purpose cables with good high-frequency properties must be used.

Grounding and high-frequency equipotential bonding measures

The following figure illustrates all grounding and high-frequency equipotential bonding measures using the example of a cabinet with a SINAMICS G120.

The ground connections ① represent the conventional grounding system for the drive components.

They are made with standard, heavy-power PE conductors without special high-frequency properties and ensure low frequency equipotential bonding as well as protection against injury.

The connections ② inside the cabinet provide solid bonding for high-frequency currents between the metal housings of the integrated components and the EMC shield busbar of the cabinet. These internal connections should be made via a large area using non-isolated metal construction components of the cabinet. In this case, the contact surface must be bare metal and each contact area must have a minimum cross-section of several cm².

Alternatively, these connections can be made with short, finely stranded, braided copper wires with a large cross-section ($\geq 95 \text{ mm}^2 / 000 (3/0) (-2) \text{ AWG}$) between the integrated components and the EMC shield busbar.

The shield and the protective earth conductor of the motor cable provide the high-frequency equipotential bonding between the converter and the motor terminal box.

Therefore connect the protective earth conductor and the cable shield as well to the motor as to the converter.

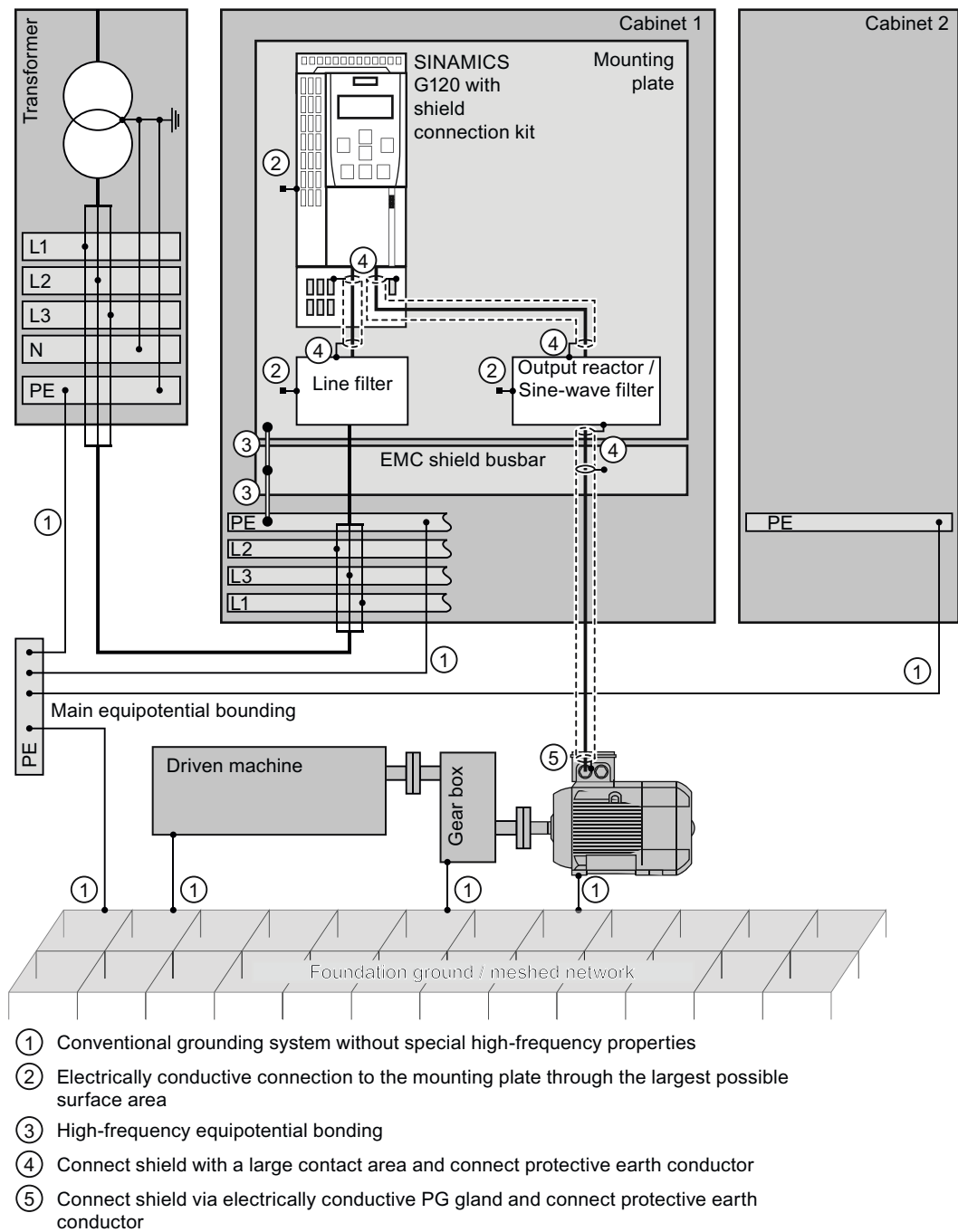


Figure 4-1 Grounding and high-frequency equipotential bonding measures in the drive system and in the plant

Additional measures

Finely stranded, braided copper cables have to be routed in parallel with the cable shields in the following cases:

- Old installations with already existing unscreened cables
- Cables with poor high-frequency properties
- Installations with bad grounding systems

The connections in the figure below provide a solid, high-frequency bonding between the motor housing, the motor terminal box, the gearbox, the driven machine and the EMC busbar.

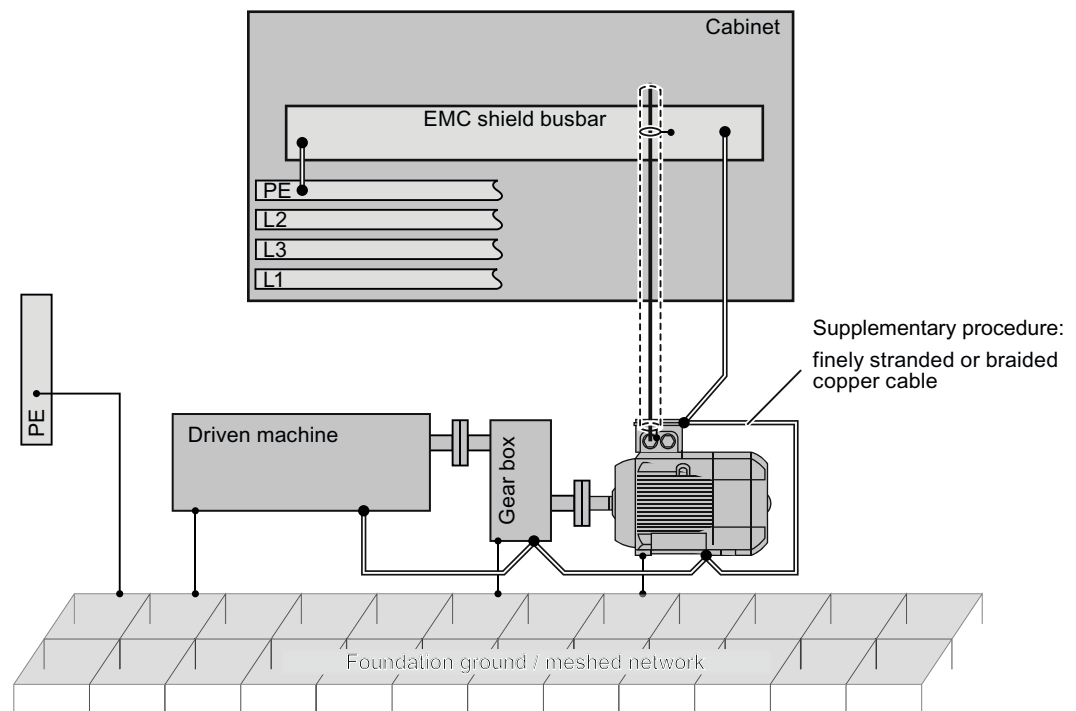


Figure 4-2 Additional high-frequency bonding of the drive system

4.2.6 EMC-compliant wiring

EMC compliant wiring of the Power Module

Using two examples, the following diagram shows the EMC-compliant installation of Power Modules with and without shield plate.

Note

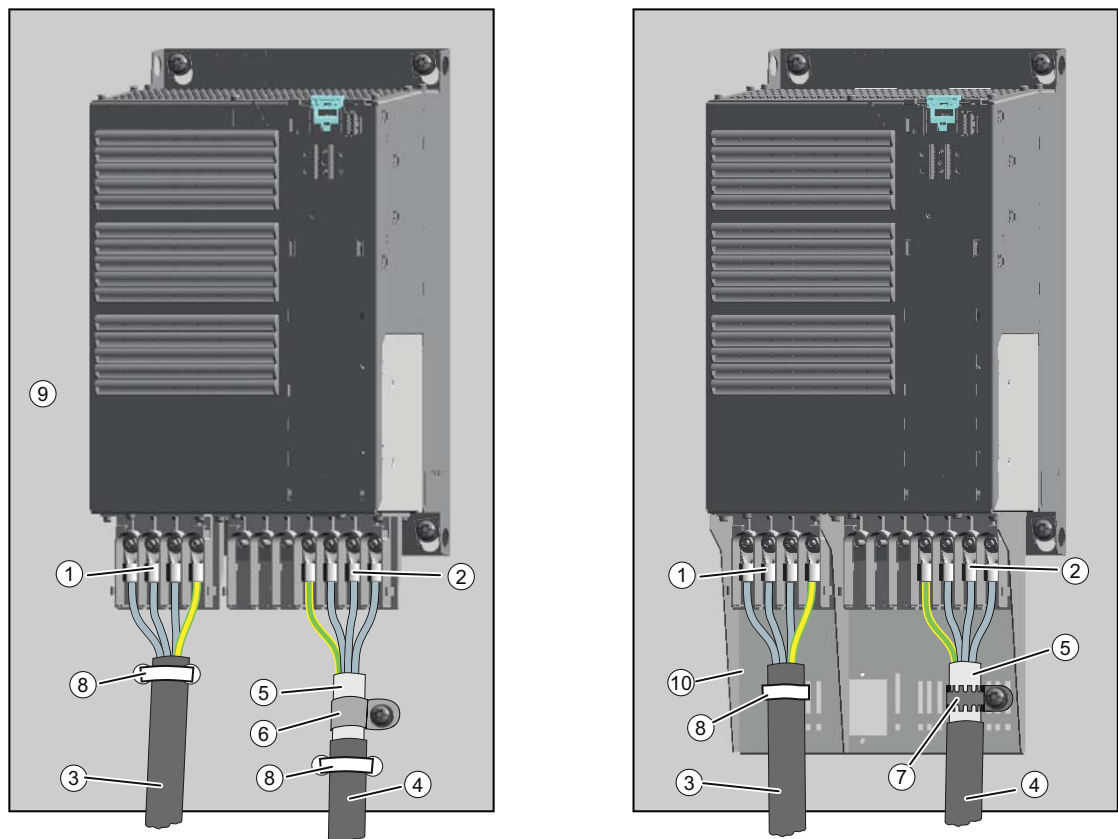
Power Modules PM240-2 and PM230, FSA ... FSC

For an EMC-compliant installation, you must use the shield plate.

The shield of the control cable must be installed both on the shield plate of the CU and on the shield plate of the Power Module.

Note

The display in the following diagram is not to scale. The terminal cover cannot be removed. It was only taken out of the diagram to better show the cable connection.



- ① Line supply connection
- ② Motor connection
- ③ Power supply cable (unshielded)
- ④ Motor connection cable (shielded)
- ⑤ Cable shield
- ⑥ Cable clamps for a good conductive electrical connection through a large surface area between the shield and mounting plate
- ⑦ Serrated collar
- ⑧ Cable tie
- ⑨ Metal mounting plate (unpainted and with a good electrical conductivity)
- ⑩ Shield plate (option)

Figure 4-3 EMC-compliant wiring - on the left without shield plate, on the right with shield plate

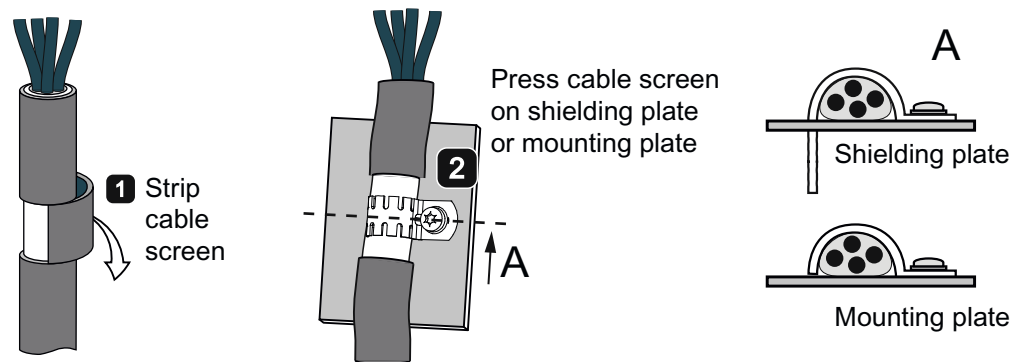


Figure 4-4 Shield connection - detail

Note

Connect a Power Module with integrated line filter with an unshielded cable to the mains power.

If you use an external line filter, you will need a shielded cable between the line filter and the Power Module.

Service and maintenance

5.1 Maintenance

The purpose of maintenance is to preserve the specified condition of the Power Module. Dirt and contamination must be removed regularly and parts subject to wear replaced. The Power Module comprises mostly electronic components. Apart from the fan(s), the unit, therefore, contains hardly any components that are subject to wear or that require maintenance or servicing.

The following points must generally be observed.

Dust deposits

Dust deposits inside the Power Module must be removed at regular intervals by qualified personnel in line with the relevant safety regulations. The unit must be cleaned using a brush and vacuum cleaner, and dry compressed air (max. 1 bar) for areas that cannot be easily reached.

Ventilation

When installing the devices in a cabinet, make sure that the cabinet ventilation slots are not obstructed. The fan must be checked to make sure that it is functioning correctly.

Cable and screw terminals

Cable and screw terminals must be checked regularly to ensure that they are secure in position, and if necessary, retightened. Cabling must be checked for defects. Defective parts must be replaced immediately.

Note

The actual intervals at which maintenance procedures are to be performed depend on the installation conditions and the operating conditions.

Siemens offers its customers support in the form of a service contract. For further details, contact your regional office or sales office.

5.2 Replacing the cooling fan

The service life of the cooling fan

The average service life of the cooling fans is 40,000 hours. In practice, however, the service life may deviate from this value. Especially a dusty environment can occlude the fan.

The fan must be replaced in good time to ensure that the inverter is available.

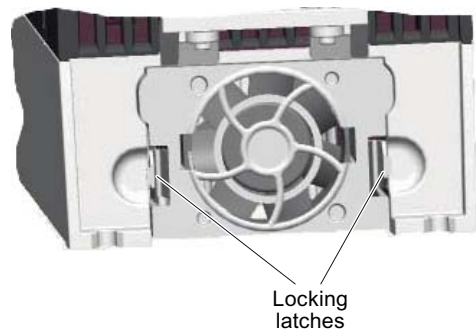
Cooling fan replacement for FSA ... FSC

Removal

1. Power-down the inverter
2. Disconnect all the cable connectors from the Power Module
3. Press locking latches (one for FSA, two for FSB and FSC) to release the fan module
4. Pull the fan module out of the Power module

Installation

For re-installation, carry out the above steps in reverse order.



Fan replacement - example

Note

The fan only fits, if you use the right direction and orientation.

Cooling fan replacement for FSD ... FSF

Removal

- Power-down the inverter
- Disconnect all the cables from the Power Module
- Remove the fan retaining board (①②)
- Release the fan cable connectors (③)
- Remove the cooling fan out from the inverter (④⑤)

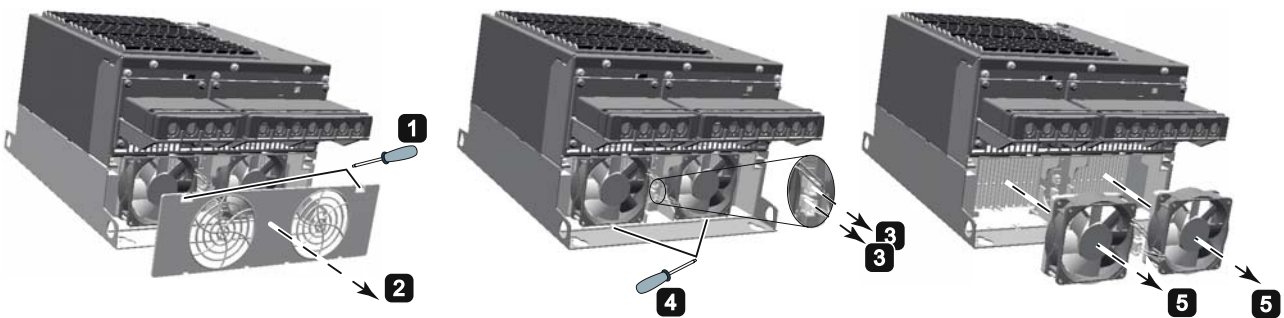


Figure 5-1 Cooling fan removal FSD and FSE

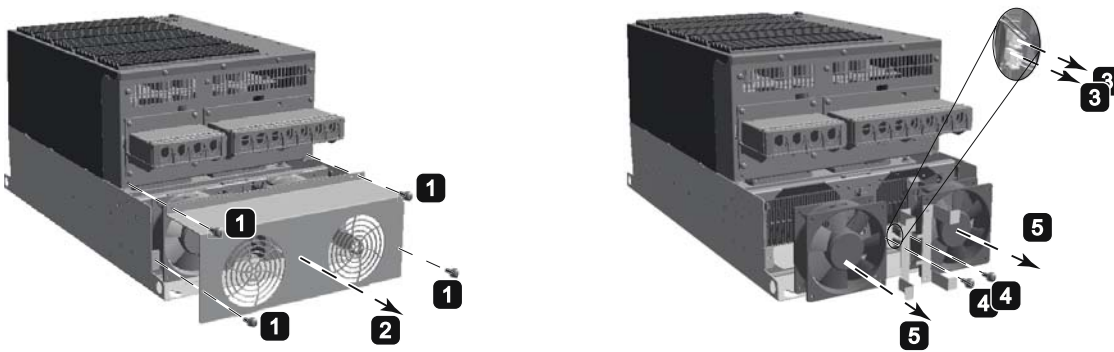


Figure 5-2 Cooling fan removal FSF

Installation

For re-installation, carry out the above steps in reverse order.

Technical specifications

Converters for Canadian installations (cUL): FSA ... FSC

In order that the system is cUL-compliant, use cUL-certified fuses type J or Siemens fuses of the 3NE1 type. Use only copper wire approved for 75°C .

Install the converter with any external recommended suppressor with the following features:

- Surge-protective devices; device shall be a listed surge-protective device (Category code VZCA7)
- Rated voltage 3-ph. 480/277 VAC, 50/60 Hz
- Clamping voltage $V_{PR} = 2000 \text{ V}$, $I_N = 3 \text{ kA min}$, $MCOV = 550 \text{ VAC}$, $SCCR = 65 \text{ kA}$
- Suitable for type 1 or type 2 SPD application
- Clamping shall be provided between the phases and also between phase and ground

Alternatively use the surge-protective device from Siemens AG, order no. 5SD7 424-1, to fulfil the cUL requirements

Converters for installation in the U.S. (UL): FSA ... FSF

In order that the system is UL-compliant, use the fuses listed in section Specifications (Page 44). Use only copper wire approved for 75°C .

Common performance ratings of the Power Module

Feature	Specification
Line voltage	3 AC 380 V ... 480 V \pm 10%
Output voltage	3 AC 0 V ... input voltage * 0.95 (max.)
Input frequency	50 Hz ... 60 Hz, \pm 3 Hz
Output frequency	0 Hz ... 650 Hz, depending on the control mode
Power factor λ	0.9
Line impedance	$U_k \leq 1\%$, a line reactor must not be used
Inrush current	Less than rated input current
Pulse frequency (factory setting)	4 kHz Can be increased up to 16 kHz (up to 8 kHz for 55 kW, 75 kW) in 2 kHz steps. Increasing the pulse frequencies leads to an output current reduction.
Electromagnetic compatibility	Filtered Units are suitable for environmental classes category C2 in accordance with IEC61800-3: 2004. For details, see the Hardware Installation Manual, Appendix A2 (Page 57).
Braking methods	DC braking
Protection level	IP20 built-in units
Storage temperature	-40 °C ... +70 °C (-40 °F ... 158 °F)
Operational temperature	see Operational temperature and temperature derating (Page 50)
Operational altitude	see Operational altitude and altitude deratings (Page 50)
Operational voltage	See Operational power and voltage derating (Page 51)
Humidity	< 95% RH - non-condensing
Environmental requirements	Protected according to environmental class 3C2 to EN 60721-3-3 against damaging chemical substances
Pollution	According pollution degree level 2 Do not install the inverter in an environment which contains atmospheric pollutants such as dust and/or corrosive gases.
Shock and vibration	Do not drop the inverter or expose to sudden shock. Do not install the inverter in an area where it is likely to be exposed to constant vibration. See also Permissible shock and vibration values (Page 52).
Electromagnetic radiation	Do not install the inverter near sources of electromagnetic radiation.
Short Circuit Current Rating (SCCR)	65 kA ¹⁾
Over-voltage category	Supply circuits: Over-voltage category III non-supply circuits: Over-voltage category II

1) If fuse-protected with a listed Class J or 3NE1 fuse, rated voltage 600 V AC with the rated current of the specific converter.

Permissible converter overload

The converters have different power ratings "High Overload" and "Low Overload" depending on the expected load.

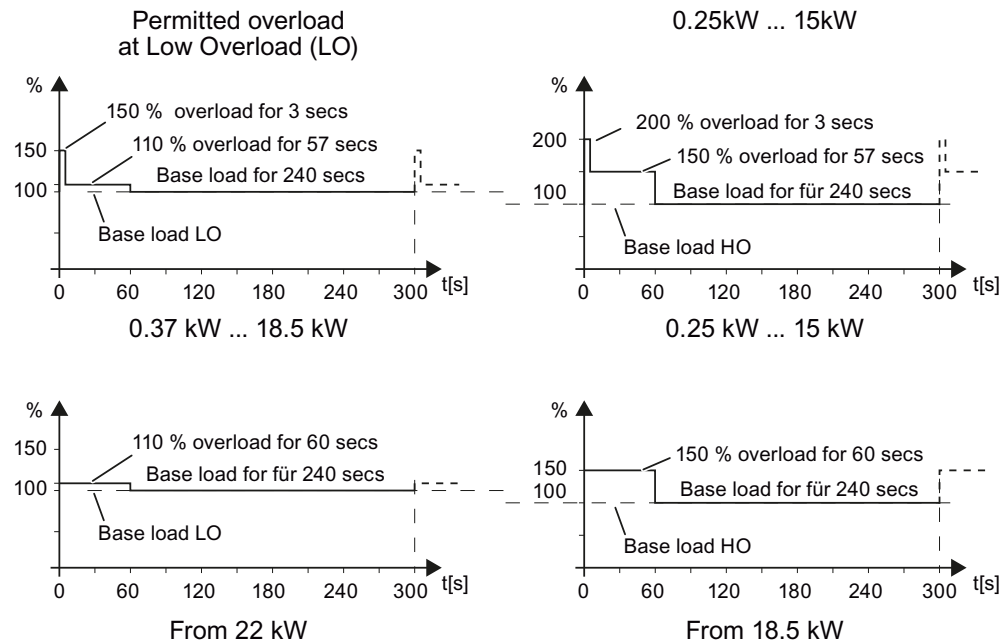


Figure 6-1 Duty cycles, "High Overload" and "Low Overload"

Note

Please note the base load (100 % power or current) for Low Overload is higher than the base load for High Overload.

The load characteristics shown in the diagram are only examples. We recommend the use of the "SIZER" engineering software to select the appropriate Power Modules using duty cycles. See Sizer download

(<http://support.automation.siemens.com/WW/view/en/10804987/130000>).

Definitions

- **LO input current** 100 % of the permissible input current with a load cycle according to Low Overload.
- **LO output current** 100 % of the permissible output current with a load cycle according to Low Overload.
- **LO power** Power of the Unit at LO output current.
- **HO input current** 100 % of the permissible input current with a load cycle according to High Overload.
- **HO output current** 100 % of the permissible output current with a load cycle according to High Overload.
- **HO power** Power of the Unit at HO output current.

6.1 Specifications

Note

For the Power Modules PM230, IP20, the low overload values (LO) are identical to the rated values.

Table 6- 1 PM230, IP20, Frame Sizes A, 3 AC 380 V ... 480 V

Order No. - Unfiltered	6SL3210...	...1NE11-3UL0	...1NE11-7UL0	...1NE12-2UL0
Order No. - Filtered	6SL3210...	...1NE11-3AL0	...1NE11-7AL0	...1NE12-2AL0
LO power		0.37 kW	0.55 kW	0.75 kW
LO input current		1.3 A	1.8 A	2.3 A
LO Output current		1.3 A	1.7 A	2.2 A
HO power		0.25 kW	0.37 kW	0.55 kW
HO input current		0.9 A	1.3 A	1.8 A
HO output current		0.9 A	1.3 A	1.7 A
Fuse according to IEC		3NE1 813-0	3NE1 813-0	3NE1 813-0
Fuse according to UL		AJT2 / 3NE1 813-0	AJT4 / 3NE1 813-0	AJT4 / 3NE1 813-0
Power losses, unfiltered		0.04 kW	0.04 kW	0.05 kW
Power losses, filtered		0.04 kW	0.04 kW	0.05 kW
Required cooling air flow		1.5 l/s	1.5 l/s	4.5 l/s
Cross section of line and motor cable		1 ... 2.5 mm ² 18 ... 14 AWG	1 ... 2.5 mm ² 18 ... 14 AWG	1 ... 2.5 mm ² 18 ... 14 AWG
Tightening torque for line and motor cable		0.5 Nm / 4 lbf in	0.5 Nm / 4 lbf in	0.5 Nm / 4 lbf in
Weight, unfiltered		1.4 kg	1.4 kg	1.4 kg
Weight, filtered		1.6 kg	1.6 kg	1.6 kg

Table 6- 2 PM230, IP20, Frame Sizes A, 3 AC 380 V ... 480 V

Order No. - Unfiltered	6SL3210...	...1NE13-1UL0	...1NE14-1UL0	...1NE15-8UL0
Order No. - Filtered	6SL3210...	...1NE13-1AL0	...1NE14-1AL0	...1NE15-8AL0
LO power		1.1 kW	1.5 kW	2.2 kW
LO input current		3.2 A	4.2 A	6.1 A
LO Output current		3.1 A	4.1 A	5.9 A
HO power		0.75 kW	1.1 kW	1.5 kW
HO input current		2.3 A	3.2 A	4.2 A
HO output current		2.2 A	3.1 A	4.1 A
Fuse according to IEC		3NE1 813-0	3NE1 813-0	3NE1 813-0
Fuse according to UL		AJT6 / 3NE1 813-0	AJT6 / 3NE1 813-0	AJT10 / 3NE1 813-0
Power losses, unfiltered		0.06 kW	0.07 kW	0.08 kW
Power losses, filtered		0.06 kW	0.07 kW	0.08 kW
Required cooling air flow		4.5 l/s	4.5 l/s	4.5 l/s
Cross section of line and motor cable		1 ... 2.5 mm ² 18 ... 14 AWG	1 ... 2.5 mm ² 18 ... 14 AWG	1.5 ... 2.5 mm ² 16 ... 14 AWG
Tightening torque for line and motor cable		0.5 Nm / 4 lbf in	0.5 Nm / 4 lbf in	0.5 Nm / 4 lbf in
Weight, unfiltered		1.4 kg	1.4 kg	1.4 kg
Weight, filtered		1.6 kg	1.6 kg	1.6 kg

Table 6- 3 PM230, IP20, Frame Sizes A, 3 AC 380 V ... 480 V

Order No. - Unfiltered	6SL3210...	...1NE17-7UL0
Order No. - Filtered	6SL3210...	...1NE17-7AL0
LO power		3 kW
LO input current		8.0 A
LO Output current		7.7 A
HO power		2.2 kW
HO input current		6.1 A
HO output current		5.9 A
Fuse according to IEC		3NE1 813-0
Fuse according to UL		AJT10 / 3NE1 813-0
Power losses, unfiltered		0.11 kW
Power losses, filtered		0.11 kW
Required cooling air flow		4.5 l/s
Cross section of line and motor cable		1.5 ... 2.5 mm ² 16 ... 14 AWG
Tightening torque for line and motor cable		0.5 Nm / 4 lbf in
Weight, unfiltered		1.4 kg
Weight, filtered		1.6 kg

Table 6- 4 PM230, PT, Frame Sizes A, 3 AC 380 V ... 480 V

Order No. - Unfiltered	6SL3211...	...1NE17-7UL0
Order No. - Filtered	6SL3211...	...1NE17-7AL0
LO power		3 kW
LO input current		8.0 A
LO Output current		7.7 A
HO power		2.2 kW
HO input current		6.1 A
HO output current		5.9 A
Fuse according to IEC		3NE1 813-0
Fuse according to UL		AJT10 / 3NE1 813-0
Power losses, unfiltered		0.11 kW
Power losses, filtered		0.11 kW
Required cooling air flow		4.5 l/s
Cross section of line and motor cable		1.5 ... 2.5 mm ² 16 ... 14 AWG
Tightening torque for line and motor cable		0.5 Nm / 4 lbf in
Weight, unfiltered		1.7 kg
Weight, filtered		1.9 kg

Technical specifications

6.1 Specifications

Table 6- 5 PM230, IP20, Frame Sizes B, 3 AC 380 V ... 480 V

Order No. - Unfiltered	6SL3210...	...1NE21-0ULO	...1NE21-3ULO	...1NE21-8ULO
Order No. - Filtered	6SL3210...	...1NE21-0ALO	...1NE21-3ALO	...1NE21-8ALO
LO power		4 kW	5.5 kW	7.5 kW
LO input current		10.5 A	13.6 A	18.6 A
LO Output current		10.2 A	13.2 A	18 A
HO power		3 kW	4 kW	5.5 kW
HO input current		8.0 A	10.5 A	13.6 A
HO output current		7.7 A	10.2 A	13.2 A
Fuse according to IEC		3NE1 813-0	3NE1 814-0	3NE1 815-0
Fuse according to UL		AJT15 / 3NE1 813-0	AJT20 / 3NE1 814-0	AJT25 / 3NE1 815-0
Power losses, unfiltered		0.12 kW	0.15 kW	0.22 kW
Power losses, filtered		0.12 kW	0.15 kW	0.24 kW
Required cooling air flow		9.2 l/s	9.2 l/s	9.2 l/s
Cross section of line and motor cable		1.5 ... 6 mm ² 16 ... 10 AWG	1.5 ... 6 mm ² 16 ... 10 AWG	1.5 ... 6 mm ² 16 ... 10 AWG
Tightening torque for line and motor cable		0.6 Nm / 5 lbf in	0.6 Nm / 5 lbf in	0.6 Nm / 5 lbf in
Weight, unfiltered		2.8 kg	2.8 kg	2.8 kg
Weight, filtered		3 kg	3 kg	3 kg

Table 6- 6 PM230, PT, Frame Sizes B, 3 AC 380 V ... 480 V

Order No. - Unfiltered	6SL3211...	...1NE21-8ULO
Order No. - Filtered	6SL3211...	...1NE21-8ALO
LO power		7.5 kW
LO input current		18.6 A
LO Output current		18 A
HO power		5.5 kW
HO input current		13.6 A
HO output current		13.2 A
Fuse according to IEC		3NE1 815-0
Fuse according to UL		AJT25 / 3NE1 815-0
Power losses, unfiltered		0.22 kW
Power losses, filtered		0.24 kW
Required cooling air flow		9.2 l/s
Cross section of line and motor cable		1.5 ... 6 mm ² 16 ... 10 AWG
Tightening torque for line and motor cable		0.6 Nm / 5 lbf in
Weight, unfiltered		3.4 kg
Weight, filtered		3.6 kg

Table 6- 7 PM230, IP20, Frame Sizes C, 3 AC 380 V ... 480 V

Order No. - Unfiltered	6SL3210...	...1NE22-6UL0	...1NE23-2UL0	...1NE23-8UL0
Order No. - Filtered	6SL3210...	...1NE22-6AL0	...1NE23-2AL0	...1NE23-8AL0
LO power		11 kW	15 kW	18.5 kW
LO input current		26.9 A	33.1 A	39.2 A
LO Output current		26 A	32 A	38 A
HO power		7.5 kW	11 kW	15 kW
HO input current		18.6 A	26.9 A	33.1 A
HO output current		18 A	26 A	32 A
Fuse according to IEC		3NE1 803-0	3NE1 817-0	3NE1 817-0
Fuse according to UL		AJT35 / 3NE1 803-0	AJT45 / 3NE1 817-0	AJT50 / 3NE1 817-0
Power losses, unfiltered		0.3 kW	0.35 kW	0.45 kW
Power losses, filtered		0.3 kW	0.35 kW	0.45 kW
Required cooling air flow		18.5 l/s	18.5 l/s	18.5 l/s
Cross section of line and motor cable		6 ... 16 mm ² 10 ... 6 AWG	6 ... 16 mm ² 10 ... 6 AWG	6 ... 16 mm ² 10 ... 6 AWG
Tightening torque for line and motor cable		1.3 Nm / 12 lbf in	1.3 Nm / 12 lbf in	1.3 Nm / 12 lbf in
Weight, unfiltered		4.5 kg	4.5 kg	4.5 kg
Weight, filtered		5.1 kg	5.1 kg	5.1 kg

Table 6- 8 PM230, PT, Frame Sizes C, 3 AC 380 V ... 480 V

Order No. - Unfiltered	6SL3211...	...1NE23-8UL0
Order No. - Filtered	6SL3211...	...1NE23-8AL0
LO power		18.5 kW
LO input current		39.2 A
LO Output current		38 A
HO power		15 kW
HO input current		33.1 A
HO output current		32 A
Fuse according to IEC		3NE1 817-0
Fuse according to UL		AJT50 / 3NE1 817-0
Power losses, unfiltered		0.45 kW
Power losses, filtered		0.45 kW
Required cooling air flow		18.5 l/s
Cross section of line and motor cable		6 ... 16 mm ² 10 ... 6 AWG
Tightening torque for line and motor cable		1.3 Nm / 12 lbf in
Weight, unfiltered		5.4 kg
Weight, filtered		6 kg

Technical specifications

6.1 Specifications

Table 6- 9 PM230, IP20, Frame Sizes D, 3 AC 380 V ... 480 V

Order No. - Unfiltered	6SL3210...	...1NE24-5UL0	...1NE26-0UL0
Order No. - Filtered	6SL3210...	...1NE24-5AL0	...1NE26-0AL0
LO power		22 kW	30 kW
LO input current		42 A	56 A
LO output current		45 A	60 A
HO power		18.5 kW	22 kW
HO input current		36 A	42 A
HO output current		38 A	45 A
Fuse according to IEC		3NE1818-0	3NE1820-0
Fuse according to UL		3NE1818-0	3NE1820-0
Power losses, unfiltered		0.52 kW	0.68 kW
Power losses, filtered		0.52 kW	0.68 kW
Required cooling air flow		80 l/s	80 l/s
Cross section of line and motor cable		16 ... 35 mm ² 5 ... 2 AWG	16 ... 35 mm ² 5 ... 2 AWG
Tightening torque for line and motor cable		6 Nm / 53 lbf in	6 Nm / 53 lbf in
Weight, unfiltered		11 kg	11 kg
Weight, filtered		14 kg	14 kg

Table 6- 10 PM230, IP20, Frame Sizes E, 3 AC 380 V ... 480 V

Order No. - Unfiltered	6SL3210...	...1NE27-5UL0	...1NE28-8UL0
Order No. - Filtered	6SL3210...	...1NE27-5AL0	...1NE28-8AL0
LO power		37 kW	45 kW
LO input current		70 A	84 A
LO output current		75 A	90 A
HO power		30 kW	37 kW
HO input current		56 A	70 A
HO output current		60 A	75 A
Fuse according to IEC		3NE1021-0	3NE1022-0
Fuse according to UL		3NE1021-0	3NE1022-0
Power losses, unfiltered		0.99 kW	1.2 kW
Power losses, filtered		0.99 kW	1.2 kW
Required cooling air flow		80 l/s	80 l/s
Cross section of line and motor cable		25 ... 50 mm ² 3 ... 1-1/0 AWG	25 ... 50 mm ² 3 ... 1-1/0 AWG
Tightening torque for line and motor cable		6 Nm / 53 lbf in	6 Nm / 53 lbf in
Weight, unfiltered		15 kg	15 kg
Weight, filtered		22 kg	22 kg

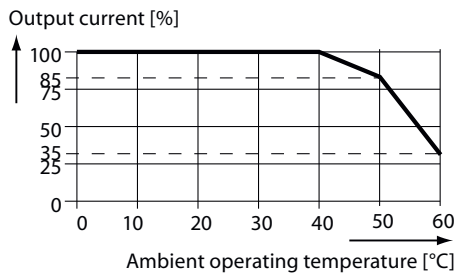
Table 6- 11 PM230, IP20, Frame Sizes F, 3 AC 380 V ... 480 V

Order No. - Unfiltered	6SL3210...	...1NE31-1UL0	...1NE31-5UL0
Order No. - Filtered	6SL3210...	...1NE31-1AL0	...1NE31-5AL0
LO power		55 kW	75 kW
LO input current		102 A	135 A
LO output current		110 A	145 A
HO power		45 kW	55 kW
HO input current		84 A	102 A
HO output current		90 A	110 A
Fuse according to IEC		3NE1224-0	3NE1225-0
Fuse according to UL		3NE1224-0	3NE1225-0
Power losses, unfiltered		1.4 kW	2.0 kW
Power losses, filtered		1.4 kW	2.0 kW
Required cooling air flow		150 l/s	150 l/s
Cross section of line and motor cable		35 ... 120 mm ² 2 ... 4/0 AWG	35 ... 120 mm ² 2 ... 4/0 AWG
Tightening torque for line and motor cable		13 Nm / 115 lbf in	13 Nm / 115 lbf in
Weight, unfiltered		15 kg	34 kg
Weight, filtered		22 kg	46 kg

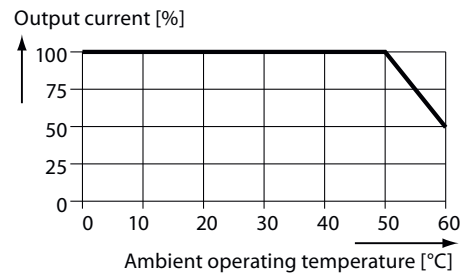
6.2 Derating data

6.2.1 Operational temperature and temperature derating

Low Overload



High Overload



6.2.2 Operational altitude and altitude deratings

Voltage

The clearance within the converter can isolate surge voltages in accordance with overvoltage category III in compliance with the EN 60664-1 regulation up to 2000 m above sea level.

At altitudes above 2000 m and below 4000 m above sea level, the converter has to be connected that at least one of the following conditions is fulfilled:

- It is connected to a TN-network with isolated star-point (not an external grounded connector)

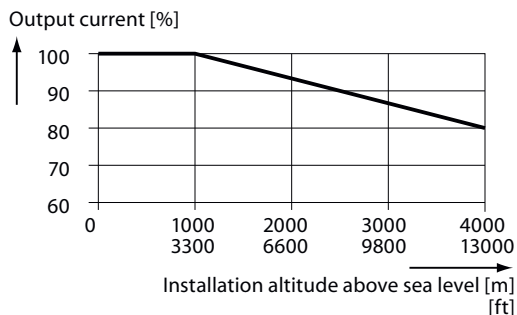
or

- it is connected through an isolating transformer that provides a TN-network with a grounded star-point.

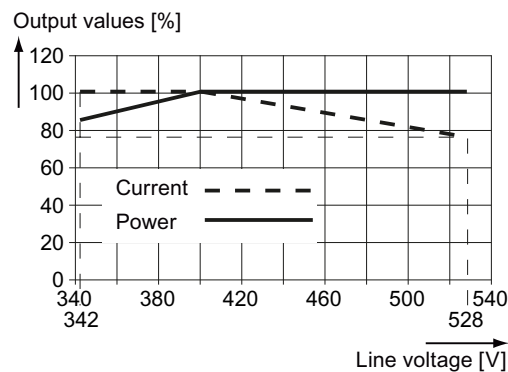
A reduction of the line voltage is not necessary.

Note: The connected engines and power components must be considered separately.

Current



6.2.3 Operational power and voltage derating



6.2.4 Current reduction depending on pulse frequency

Table 6- 12 Current reduction depending on pulse frequency¹⁾

LO base load	Output base-load current at pulse frequency of							
	2 kHz	4 kHz	6 kHz	8 kHz	10 kHz	12 kHz	14 kHz	16 kHz
kW	A	A	A	A	A	A	A	A
0.37	--	1.30	1.11	0.91	0.78	0.65	0.59	0.52
0.55	--	1.70	1.45	1.19	1.02	0.85	0.77	0.68
0.75	--	2.20	1.87	1.54	1.32	1.10	0.99	0.88
1.1	--	3.10	2.64	2.17	1.86	1.55	1.40	1.24
1.5	--	4.10	3.49	2.87	2.46	2.05	1.85	1.64
2.2	--	5.90	5.02	4.13	3.54	2.95	2.66	2.36
3.0	--	7.70	6.55	5.39	4.62	3.85	3.47	3.08
4.0	--	10.20	8.67	7.14	6.12	5.10	4.59	4.08
5.5	--	13.20	11.22	9.24	7.92	6.60	5.94	5.28
7.5	--	18.00	15.30	12.60	10.80	9.00	8.10	7.20
11.0	--	26.00	22.10	18.20	15.60	13.00	11.70	10.40
15.0	--	32.00	27.20	22.40	19.20	16.00	14.40	12.80
18.5	--	38.00	32.30	26.60	22.80	19.00	17.10	15.20
22	--	45.00	38.25	31.50	27.00	22.50	20.25	18.00
30	--	60.00	51.00	42.00	36.00	30.00	27.00	24.00
37	--	75.00	63.75	52.50	45.00	37.50	33.75	30.00
45	--	90.00	76.50	63.00	54.00	45.00	40.50	36.00
55	--	110.0	93.50	77.00	66.00	55.00	49.50	44.00
75	--	145.0	123.3	101.5	--	--	--	--
90	--	178.0	151.3	124.6	--	--	--	--

¹⁾ The permissible motor cable length also depends on the cable type and the chosen pulse frequency.

6.3 Permissible shock and vibration values

- Long-term storage in the transport packaging according to Class 1M2 to EN 60721-3-1: 1997
- Transport in the transport packaging according to Class 2M3 to EN 60721-3-2: 1997
- Vibration during operation according to Class 3M2 to EN 60721-3-3: 1995

Accessories

7.1 Mounting Frames

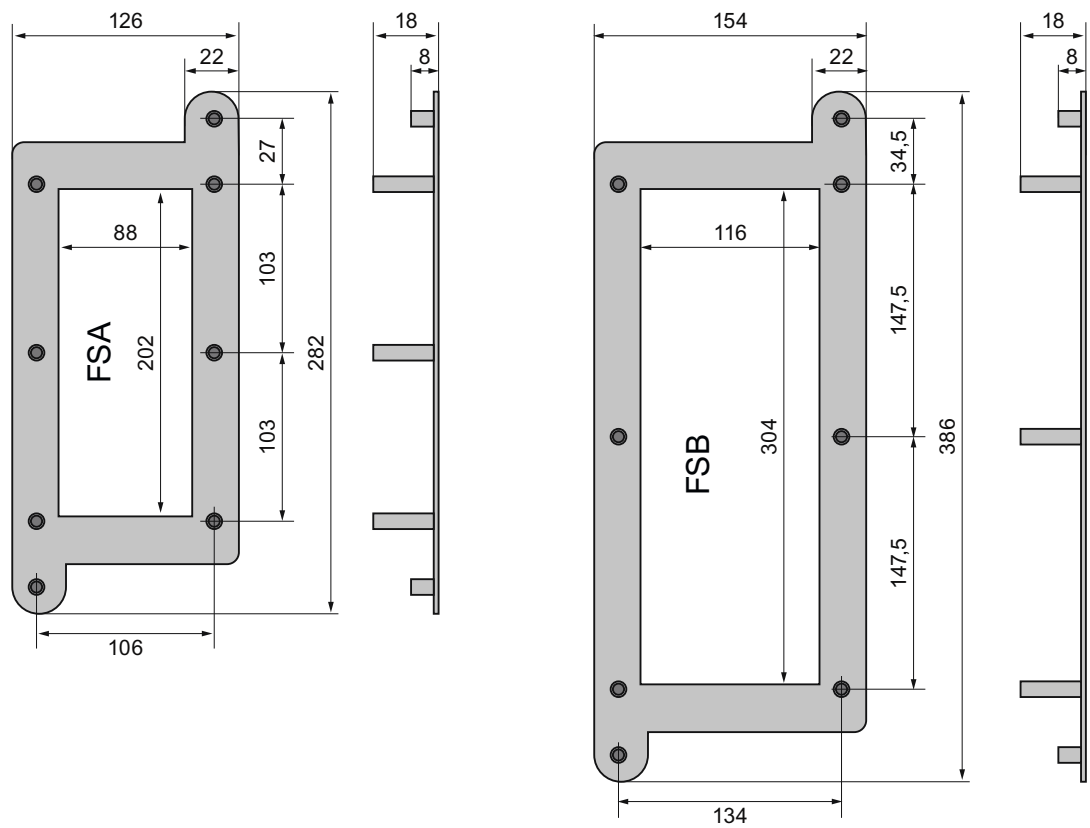
Order numbers

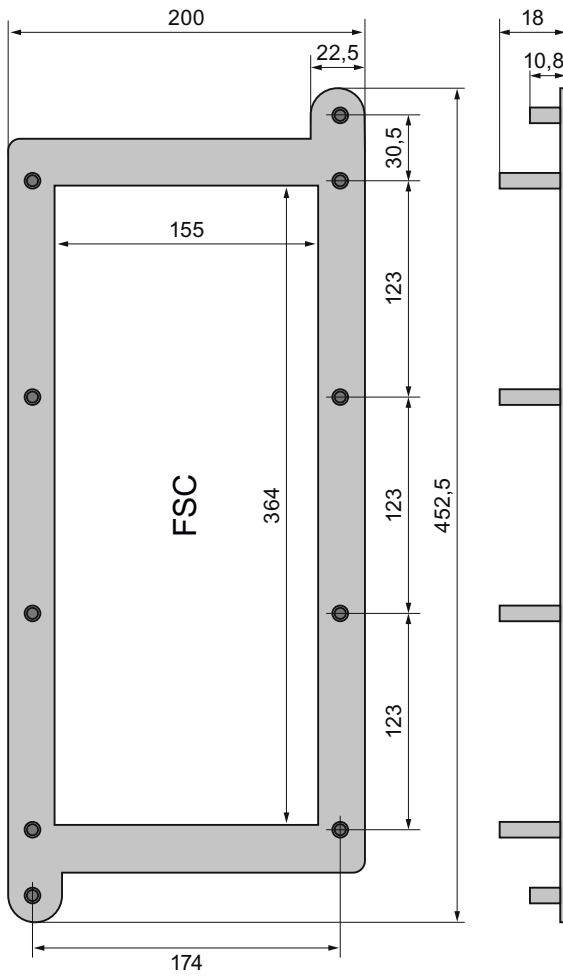
- FSA: 6SL3260-6AA00-0DA0
- FSB: 6SL3260-6AB00-0DA0
- FSC: 6SL3260-6AC00-0DA0

The option package contains all necessary nuts and gaskets.

Tightening torque for fixing mounting frame and converter for all frame sizes: 3 ... 3.5 Nm.

Dimensional drawings





Appendix

A.1 Further information on your converter

A.1.1 Manuals for your inverter

Table A- 1 Manuals for your converter

Depth of the information	Manual	Contents	Languages	Download or order number
+	Getting Started Control Units CU230P-2; CU240B-2; CU240E-2	Installing the converter and commissioning.	English, German, Italian, French, Spanish	Download manuals (http://support.automation.siemens.com/WW/view/en/22339653/133300) SINAMICS Manual Collection Documentation on DVD, order number 6SL3097-4CA00-0YG0
+	Getting Started SINAMICS G120 Power Module	Installing the Power Module		
++	Operating Instructions Control Units <ul style="list-style-type: none"> • CU230P-2 • CU240B-2 / CU240E-2 	Installing and commissioning the converter, adapting fieldbus interfaces, description of the converter functions, data backup and series commissioning, service and maintenance		
+++	List Manual Control Units <ul style="list-style-type: none"> • CU230P-2 • CU240B-2 / CU240E-2 	Graphic function block diagrams. List of all parameters, alarms and faults.	German, English	
+++	• Hardware Installation Manual	This manual		
+++	Operating and installation instructions	For converter accessories, e.g. operator panel, reactors or filter.		

A.1.2 Configuring support

Table A-2 Support when configuring and selecting the converter

Manual or tool	Contents	Languages	Download or order number
Catalog D 31	Ordering data and technical information for the standard SINAMICS G converters	English, German, Italian, French, Spanish	All about SINAMICS G120 (www.siemens.com/sinamics-g120)
Online catalog (Industry Mall)	Ordering data and technical information for all SIEMENS products	English, German	
SIZER	The overall configuration tool for SINAMICS, MICROMASTER and DYNAVERT T drives, motor starters, as well as SINUMERIK, SIMOTION controls and SIMATIC Technology	English, German, Italian, French	You obtain SIZER on a DVD (Order number: 6SL3070-0AA00-0AG0) and in the Internet: Download SIZER (http://support.automation.siemens.com/WW/view/en/10804987/130000)
Configuration Manual	Selecting geared motors, motors, converters and braking resistor based on calculation examples	English, German	Engineering Manual Standard Drives (http://support.automation.siemens.com/WW/view/en/37728795)

A.1.3 Product Support

If you have further questions

You can find additional information on the product and more in the Internet under: Product support (<http://support.automation.siemens.com/WW/view/en/4000024>).

In addition to our documentation, under this address we offer our complete knowledge base online: You can find the following information:

- Actual product information (Update), FAQ (frequently asked questions), downloads.
- The Newsletter contains the latest information on the products you use.
- The Knowledge Manager (Intelligent Search) helps you find the documents you need.
- Users and specialists from around the world share their experience and knowledge in the Forum.
- You can find your local representative for Automation & Drives via our contact database under "Contact & Partner".
- Information about local service, repair, spare parts and much more can be found under "Services".

A.2 Electromagnetic compatibility

The SINAMICS G120 drives have been tested in accordance with the EMC Product Standard EN 61800-3:2004.

Details see declaration of conformity

A.2.1 Definition of the EMC Environment and Categories

Classification of EMC performance

The EMC environment and categories are defined within the EMC Product Standard EN 61800-3:2004., as follows:

Environments

First Environment

An environment that includes domestic premises and establishments that are connected directly to a public low-voltage power supply network without the use of an intermediate transformer.

- For example: houses, apartments, commercial premises or offices in a residential building.

Second Environment

An environment that includes industrial premises and establishments that are not connected directly to a public low-voltage power supply network.

- For example: industrial and technical areas of buildings fed from a dedicated transformer.

Categories

Category C1

Power Drive System (PDS) of rated voltage less than 1000 V intended for use in the First (Domestic) Environment.

Category C2

Power Drive System (PDS) of rated voltage less than 1000 V, which is neither a plug in device nor a movable device, and when used in the First (Domestic) Environment, is only intended to be installed and commissioned by a professional.

Note

A professional is a person or an organization having necessary skills in installing and/or commissioning a Power Drive System (PDS), including their EMC aspects.

Category C3

Power Drive System (PDS) of rated voltage less than 1000 V intended for use in the Second (Industrial) Environment and not intended for use within the First (Domestic) Environment.

A.2.2 Compliance with EMC Environment and Categories

EMC Emissions

Note

To fulfill the requirements of EN 61800-3:2004 all drives have to be installed in accordance with the manufacturer's guidelines and in accordance with good EMC practices. See also: EMC compliant connection (Page 27).

Table A- 3 Conducted emissions (disturbance voltage) and radiated emissions

<p>Category C1 – First Environment</p> <ul style="list-style-type: none"> The Power Modules are not intended for use within Category C1 - First Environment. To use the Power Modules within Category C1 - First Environment, additional measures e. g. filters are required.
<p>Category C2 - First Environment, Professional use</p> <p>The Power Modules with integrated class A filters, order number: 6SL321*-1NE**-*AL0</p> <ul style="list-style-type: none"> fulfill the requirements for conducted emissions (disturbance voltage), if <ul style="list-style-type: none"> you use a screened cable, low capacity, the current does not exceed the LO input current (see Specifications (Page 44)), the pulse frequency does not exceed 4 kHz and the cable length is less than 25 m. may cause radio interference in which case supplementary mitigation measures may be required to fulfill the requirements for Radiated emissions. <p>Note: Units installed within Category C2 - First environment - Professional use - require installation by a professional, having necessary skills in installing and/or commissioning power drive systems, including their EMC aspects.</p>
<p>Category C2 - Second Environment</p> <p>The Power Modules with integrated class A filters, order number: 6SL321*-1NE**-*AL0</p> <ul style="list-style-type: none"> fulfill the requirements for conducted emissions (disturbance voltage), <ul style="list-style-type: none"> if you use a screened cable, low capacity, the current does not exceed the LO input current (see Specifications (Page 44)), the pulse frequency does not exceed 4 kHz and the cable length is less than 25 m. may cause radio interference in which case supplementary mitigation measures may be required to fulfill the requirements for Radiated emissions.
<p>Category C3 – Second (industrial) Environment</p> <ul style="list-style-type: none"> Filtered Power Modules, order number 6SL321*-1NE**-*AL0, can be installed within category C3 - Second Environment without restrictions and do not require connection approval. The use of unfiltered Power Modules, order number 6SL321*-1NE**-*UL0, within an industrial plant is only possible if it forms part of a system which includes additional power-line filtering at the "system level". Alternatively, filtered Power Modules can be used.

EMC / Immunity

The Power Modules have been tested in accordance with the immunity requirements of category C3 – Second Environment – and fulfill the requirements according 61800-38.

Note

The immunity requirements apply equally to both filtered and unfiltered Power Modules.

Harmonic currents

Typical harmonic current (% of rated input current) at U_k 1 %							
5.	7.	11.	13.	17.	19.	23.	25.
21	15	10	9	7	6	6	5

Note

Installation of Power Modules in an environment of category C2

Power Modules, which are installed in an environment of category C2, require a connection approval for the low-voltage supply system. Contact your local supply system operator in this case.

A.2.3 EMC limit values in South Korea

이 기기는 업무용(A 급) 전자파적합기기로서 판매자 또는 사용자는 이 점을 주의하시기 바라며, 가정외의 지역에서 사용하는 것을 목적으로 합니다.

For sellers or users, please keep in mind that this device is an A-grade electromagnetic wave device. This device is intended to be used in areas other than home.

The EMC limit values to be complied with for South Korea correspond to the limit values of the EMC product standard for variable-speed electric drives EN 61800-3, Category C2 or limit value class A, Group 1 according to EN55011. By applying suitable supplementary measures, the limit values according to Category C2 or according to limit value class A, Group 1 are maintained. Further, additional measures may be required, for instance, using an additional radio interference suppression filter (EMC filter). The measures for EMC-compliant design of the system are described in detail in this manual respectively in the Installation Guideline EMC.

Please note that the final statement on compliance with the standard is given by the respective label attached to the individual unit.

A.3 Standards

European Low Voltage Directive



The SINAMICS G120 product range complies with the requirements of the Low Voltage Directive 2006/95/EC. The units are certified for compliance with the following standards:

- EN 61800-5-1 — Semiconductor inverters – General requirements and line commutated inverters

European Machinery Directive

The inverters are suitable for installation in machines. Compliance with the Machinery Directive requires a separate certificate of conformity. This must be provided by the plant construction company or the organization marketing the machine.

European EMC Directive

When installed according to the recommendations described in this manual, the SINAMICS G120 fulfils all requirements of the EMC Directive as defined by the EMC Product Standard for Power Drive Systems EN 61800-3.

ISO 9001

Siemens I DT MC operates a quality management system, which complies with the requirements of ISO 9001.

UL508C

- Frame Sizes A-C:
UL and CUL LISTED POWER CONVERSION EQUIPMENT, investigated according UL508C
- Frame Sizes D-F:
TÜV SÜD (NRTL) certified Power Conversion Equipment, investigated according UL508C

SEMI F47

Specification for Semiconductor Process Equipment Voltage Sag Immunity

The Power Modules fulfill the requirements of the SEMI F47-0706 standard.

Canadian Standards Association

The Power Modules PM230, FSA ... FSC comply with the requirements of CSA 22.2 no. 14.

Download certificates

Certificates can be downloaded from the internet under the following link: Certificates (<http://support.automation.siemens.com/WW/view/en/22339653/134200>)

A.4 Abbreviations

Abbreviation	State
AC	Alternating Current
CE	Communauté Européenne
CU	Control Unit
DC	Direct current
DI	Digital input
DIP	DIP switch
DO	Digital output
ECD	Equivalent circuit diagram
EEC	European Economic Community
ELCB	Earth leakage circuit breaker
EMC	Electromagnetic compatibility
EMI	Electromagnetic interference
FS...	Frame size ...
GSG	Getting Started Guide
HO	High Overload
I/O	In-/output
IGBT	Insulated gate bipolar transistor
LED	Light emitting diode
LO	Light Overload
NC	Normally closed
NEMA	National Electrical Manufacturers Association
NO	Normally open
OPI	Operating Instructions
PELV	Protection by extra low voltage
PM	Power Module
PPE	Personal protective equipment
RCCB	Residual current circuit breaker
RCD	Residual current device
RFI	Radio frequency interference
SELV	Safety extra low voltage
VT	Variable torque

Index

A

Air barrier, 15

C

Catalog, 56
Category C1, 57
Category C2, 57
Category C3, 57
Classification of EMC performance, 57
Configuring support, 56
Cooling, 14
cUL-compliant installation, 41
Current reduction, 51

D

Derating
 Altitude, 50
Dimension drawings, 20
Drill pattern, 20

E

Electrical installation, 23
EMC, 27
EMC Emissions, 58

F

First Environment, 57
Fitting the CU, 22

G

General rules for the environmental protection, 13
Getting Started, 55

H

Hardware Installation Manual, 55
Harmonic Currents, 59

Hotline, 56

I

Industry Mall, 56
IP20 protection, 13

L

Leakage current, 23

M

Maintenance
 Cleaning, 37
 Contamination, 37
 Dirt, 37
 Terminals, 37
 Ventilation, 37
Manual Collection, 55
Manuals
 Converter accessories, 55
 Download, 55
 Overview, 55
Minimum distance
 above, 20
 below, 20
 front, 20
 side by side, 20
Mounting Frame, 19

O

Operating instructions, 55
Operational altitude, 50
Overview
 Manuals, 55

P

Parameter Manual, 55
Personal protective equipment, 14
Power Drive System (PDS), 57
Power losses, 15
Power Modules
 Dimension drawings, 20

- Technical specifications, 42
- PPE, 14
- Pulse frequency, 51
- Push through
 - Mounting Frame, 19

Q

- Questions, 56

S

- Safety notes
 - Electrical installation, 23
- Second Environment, 57
- Service life of the fan, 38
- SIZER, 56
- Specifications, 42
- Standards
 - EN 61800-3, 57
- Star/Delta connection, 25
- Support, 56

T

- Technical specifications
 - Power Module, 42
- Tightening torque, 20

U

- UL-compliant installation, 41

Siemens AG
Industry Sector
Drive Technologies
Motion Control Systems
Postfach 3180
91050 ERLANGEN
GERMANY

Subject to change without notice
© Siemens AG 2010

www.siemens.com/sinamics-g120