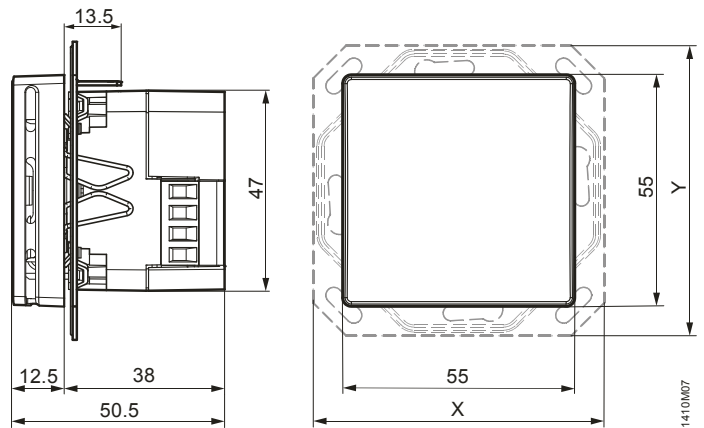
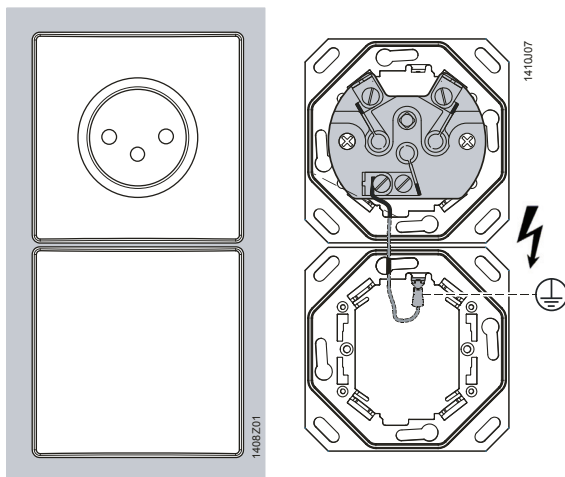
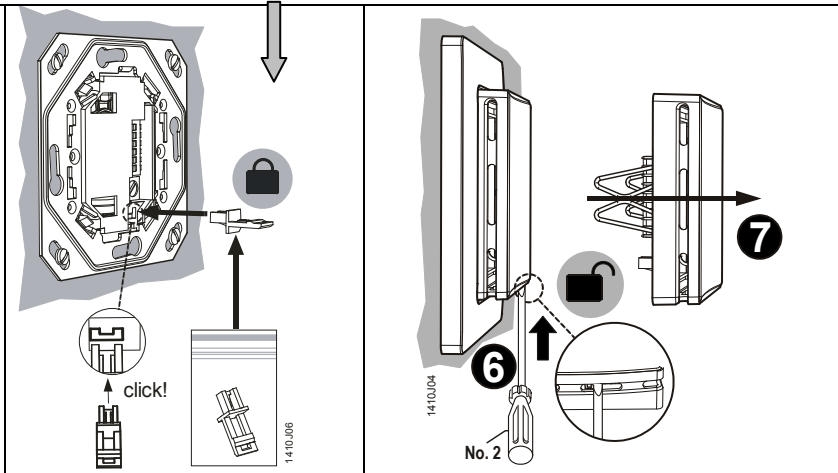
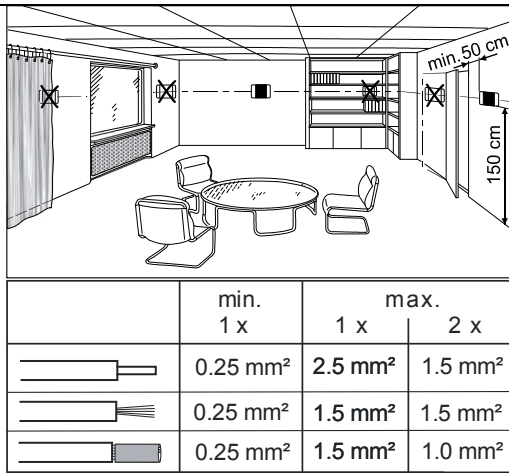
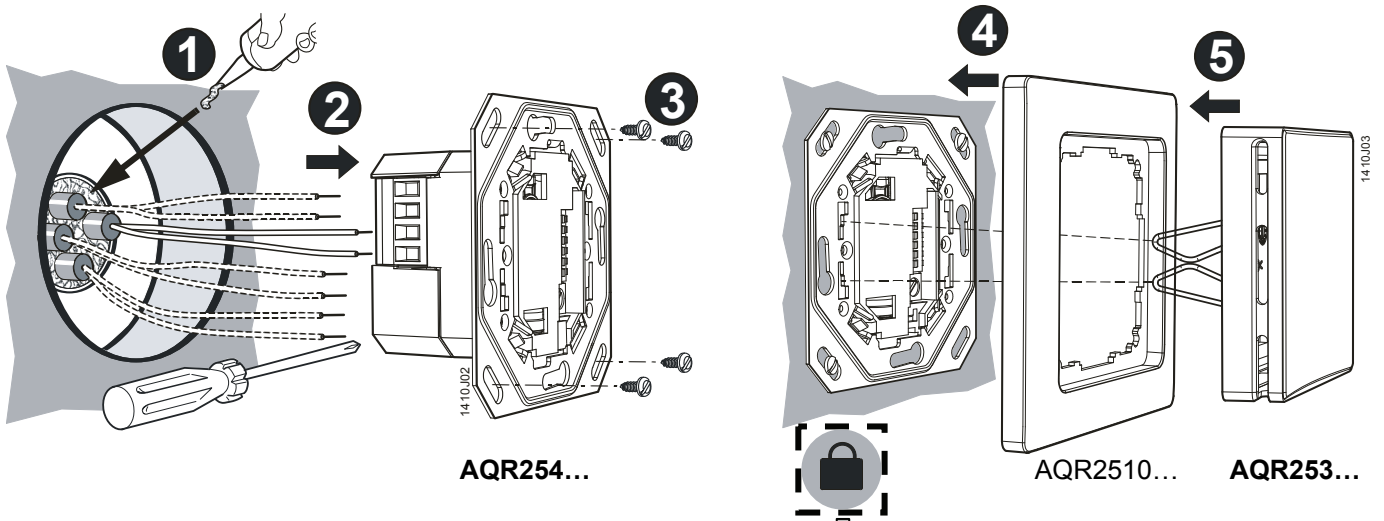


de Montageanleitung
en Mounting instructions
fr Instructions de montage
sv Monteringsinstruktion
nl Montage-aanwijzing
it Istruzioni di montaggio
fi Asennusohje
es Instrucciones de montaje
da Monteringsvejledning

Raumfühler
Room sensor
Sonde d' ambiante
Rumsgivare
Ruimteopnemer
Sonda ambiente
Anturi huoneasennusta varten
Sonda de ambiente
Rumføleren

AQR253..
AQR254..



	CEE/DE	British standard	3 Modular	UL
X	70.8 mm	83 mm	110 mm	64 mm
Y	70.8 mm	83 mm	64 mm	110 mm

		6	6
		<i>U [V]</i>	<i>I [mA]</i>
5 4		0...10 V	0...20 mA
5 4		2...10 V	4...20 mA
5 4		0/2...10 V (0 V = Error)	0/4...20 mA (0 mA = Error)
5 4		0...5 V	0...10 mA

	3		3
<i>norm. open</i>		<i>norm. closed</i>	

Off	0		2 1
Error	6		
Test *)	8		
Reset (min.10s)	9		

<i>T</i>	<i>r.h.</i>	<i>CO₂/VOC/IAQ</i>
2 1	2 1	2 1

	5	4	<i>V</i>	6	<i>mA</i>
			0...10		0...20
			2...10		4...20
			0/2...10		0/4...20
			0...5		0...10

2	1		3		
		Off			0
		Aux. Func.			x 9
		Reset 10 s			
		T °C			5...45
		r.H. %			10...90
		CO ₂			800...1600

	6	5	4	3	2	1

Factory settings		
6 5 4		0...10 V
3 2 1		Off
	0	

	1	2	3	4	5	6	7	8	9		
<i>Carbon dioxide</i>	CO₂	800	900	1000	1100	1200	1300	1400	1500	1600	ppm
<i>Volatile org. comp.</i>	VOC	40	45	50	55	60	65	70	75	80	%VOC
<i>Indoor air quality</i>	IAQ	40	45	50	55	60	65	70	75	80	%IAQ
<i>Relative humidity</i>	r.h.	10	20	30	40	50	60	70	80	90	%r.h.
<i>Temperature</i>	T	5	10	15	20	25	30	35	40	45	°C

*) Testsignal:
CO₂: 400 ppm, VOC: 30%,
IAQ: 40%, r.h.: 50%, T: 30°C

	+		X1	X2	B, M		C, DO
AQR2540...	+	AQR2532...	---	T			T
AQR2540...	+	AQR2533...	r.h.	---			r.h.
AQR2540...	+	AQR2535...	r.h.	T			r.h. / T
AQR2540...	+	AQR2534...	r.h.	T			r.h. / T
AQR2547...	+	AQR2530...	VOC	---			VOC
AQR2547...	+	AQR2532...	VOC	T			VOC / T
AQR2547...	+	AQR2533...	VOC	r.h.			VOC / r.h.
AQR2547...	+	AQR2535...	VOC	r.h.			VOC / r.h. / T
AQR2547...	+	AQR2534...	VOC	r.h.			VOC / r.h. / T
AQR2546...	+	AQR2530...	CO ₂	---			CO ₂
AQR2546...	+	AQR2532...	CO ₂	T			CO ₂ / T
AQR2546...	+	AQR2533...	CO ₂	r.h.			CO ₂ / r.h.
AQR2546...	+	AQR2535...	CO ₂	r.h.			CO ₂ / r.h. / T
AQR2546...	+	AQR2534...	CO ₂	r.h.			CO ₂ / r.h. / T
AQR2548...	+	AQR2530...	CO ₂	IAQ			IAQ
AQR2548...	+	AQR2532...	CO ₂	T			IAQ / T
AQR2548...	+	AQR2533...	CO ₂	r.h.			IAQ / r.h.
AQR2548...	+	AQR2535...	CO ₂	r.h.			IAQ / r.h. / T
AQR2548...	+	AQR2534...	CO ₂	r.h.			IAQ / r.h. / T

For additional information please refer to the product datasheet on the Internet:

www.siemens.com/bt/download

→ search for "N1410en"

SIEMENS 1410

Room sensor

Active flush-mounted room sensor comprising front module, base module and design frame accessory that can be ordered separately
Operating voltage AC 24 V or DC 18...36 V

