

MBPX



PLASTIC ATEX FAN WITH BACKWARD IMPELLER

MANUFACTURING FEATURES

- Antistatic PE-el antistatic housing.
- Backward curved impeller in PP plastic.
- Motor support made of rolled steel sheet with epoxy powder finishing coat.
- Stainless steel nuts and bolts.
- Standard asynchronous squirrel-cage motor, IP-55, class F insulation. Standard voltages 230/400V 50Hz. Equipped with II2G Eex-d motor.
- Standard orientation: LG270.

APPLICATIONS

Designed for inline installation, they are suitable for:

- Corrosive air transport.
- Chemical and petrochemical industry.
- Laboratories and gas cabinets.
- General ventilation in closed environments classified as ATEX zone 2.
- Maximum working temperature: 50°C.

ACCESSORIES



INT



EASY
KPE

UNDER REQUEST

- 60Hz fans and special voltages fans.
- Stainless steel motor support.

In compliance with the 94/9/CE Directive. ATEX II2G built. Certified II3G with certified ATEX EEx-d II2G motor for areas 2 (gas) or 22 (dust).

TECHNICAL DATA

THREE-PHASE MOTOR / 2 poles

Code	Model	R.P.M.	Rated I. (A) 400V	Rated power kW	Max. Airflow m3/h	Sound db (A)*	Weight Kg	Connect. diagram
503002040	MBPX 20 T2 0,18kW	2800	0,62	0,18	1.150	57	9	1
503002515	MBPX 25 T2 0,37kW	2800	1	0,37	2.150	65	13	1
503002817	MBPX 28 T2 0,75kW	2800	2	0,75	3.170	69	19	1
503003119	MBPX 31 T2 1,5kW	2800	3,95	1,5	4.700	71	26	1
503003527	MBPX 35 T2 2,2kW	2800	5,4	2,2	6.700	73	32	1

THREE-PHASE MOTOR / 4 poles

Code	Model	R.P.M.	Rated I. (A) 400V	Rated power kW	Max. Airflow m3/h	Sound db (A)*	Weight Kg	Connect. diagram
503002039	MBPX 20 T4 0,12kW	1400	0,71	0,12	570	42	9	1
503002539	MBPX 25 T4 0,12kW	1400	0,71	0,12	1.090	49	10	1
503002840	MBPX 28 T4 0,18kW	1400	0,76	0,18	1.610	53	14	1
503003141	MBPX 31 T4 0,25kW	1400	0,84	0,25	2.390	55	19	1
503003542	MBPX 35 T4 0,37kW	1400	1,2	0,37	3.400	57	23	1
503004043	MBPX 40 T4 0,55kW	1400	1,75	0,55	4.850	62	33	1
503004545	MBPX 45 T4 1,1kW	1400	3,3	1,1	6.400	63	40	1

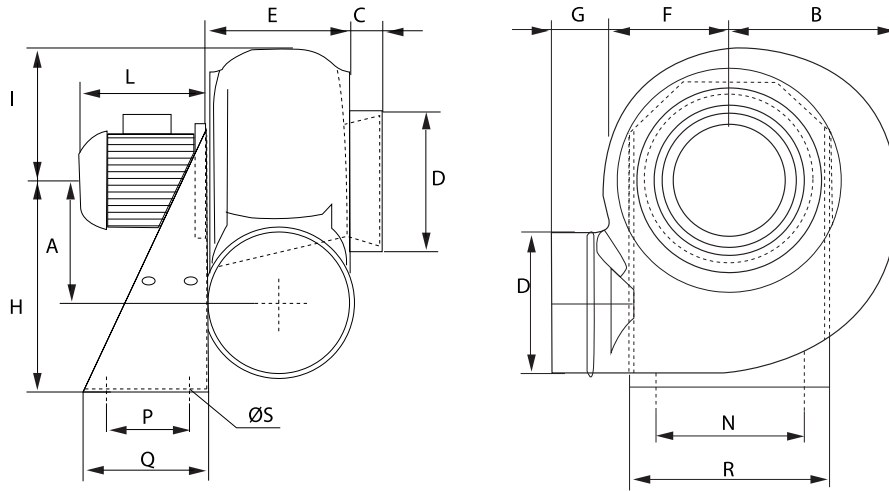
THREE-PHASE MOTOR / 6 poles

Code	Model	R.P.M.	Rated I. (A) 400V	Rated power kW	Max. Airflow m3/h	Sound db (A)*	Weight Kg	Connect. diagram
503003168	MBPX 31 T6 0,18kW	900	0,61	0,18	1.570	45	19	1
503003568	MBPX 35 T6 0,18kW	900	0,61	0,18	2.230	47	23	1
503004069	MBPX 40 T6 0,25kW	900	1	0,25	3.180	52	30	1
503004570	MBPX 45 T6 0,37kW	900	1,4	0,37	4.190	52	37	1

Notes:

* Total sound pressure level at the point of maximum flow measured in dB(A) in the suction measured in free field at a distance of 6m from the source

DIMENSIONS DIAGRAM



Model	A	B	C	DØ	E	F	G	H	I
MBPX 20 T2 0,18kW	140	180	35	160	160	138	55	250	150
MBPX 20 T4 0,12kW	140	180	35	160	160	138	55	250	150
MBPX 25 T2 0,37kW	173	228	35	200	185	170	55	310	190
MBPX 25 T4 0,12kW	173	228	35	200	185	170	55	310	190
MBPX 28 T2 0,75kW	208	255	40	225	195	190	70	350	210
MBPX 28 T4 0,18kW	208	255	40	225	195	190	70	350	210
MBPX 31 T2 1,5kW	240	280	40	250	200	210	70	410	230
MBPX 31 T4 0,25kW	240	280	40	250	200	210	70	410	230
MBPX 31 T6 0,18kW	240	280	40	250	200	210	70	410	230
MBPX 35 T2 2,2kW	260	312	40	280	237	230	50	445	270
MBPX 35 T4 0,37kW	260	312	40	280	237	230	50	445	270
MBPX 35 T6 0,18kW	260	312	40	280	237	230	50	445	270
MBPX 40 T4 0,55kW	290	356	40	315	252	264	55	495	295
MBPX 40 T6 0,25kW	290	356	40	315	252	264	55	495	295
MBPX 45 T4 1,1kW	324	400	40	355	287	395	55	550	330
MBPX 45 T6 0,37kW	324	400	40	355	287	295	55	550	330

Model	L	N	P	Q	R	S
MBPX 20 T2 0,18kW	195	200	100	140	235	11
MBPX 20 T4 0,12kW	190	200	100	140	235	11

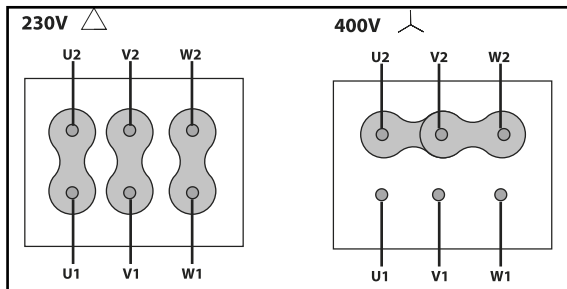


Model	L	N	P	Q	R	S
MBPX 25 T2 0,37kW	220	255	100	140	290	11
MBPX 25 T4 0,12kW	190	255	100	140	290	11
MBPX 28 T2 0,75kW	240	280	120	190	316	11
MBPX 28 T4 0,18kW	190	280	120	190	316	11
MBPX 31 T2 1,5kW	290	320	150	230	355	11
MBPX 31 T4 0,25kW	220	320	150	230	355	11
MBPX 31 T6 0,18kW	210	320	150	230	355	11
MBPX 35 T2 2,2kW	290	355	150	230	390	11
MBPX 35 T4 0,37kW	220	355	150	230	390	11
MBPX 35 T6 0,18kW	210	355	150	230	390	11
MBPX 40 T4 0,55kW	240	325	170	250	365	11
MBPX 40 T6 0,25kW	220	325	170	250	365	11
MBPX 45 T4 1,1kW	290	370	170	250	410	11
MBPX 45 T6 0,37kW	240	370	170	250	410	11

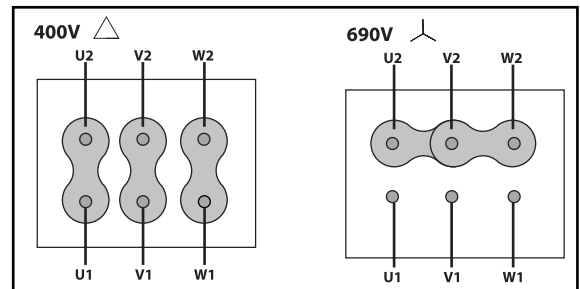
WIRING DIAGRAM

DIAGRAM Nº 1

230/400V



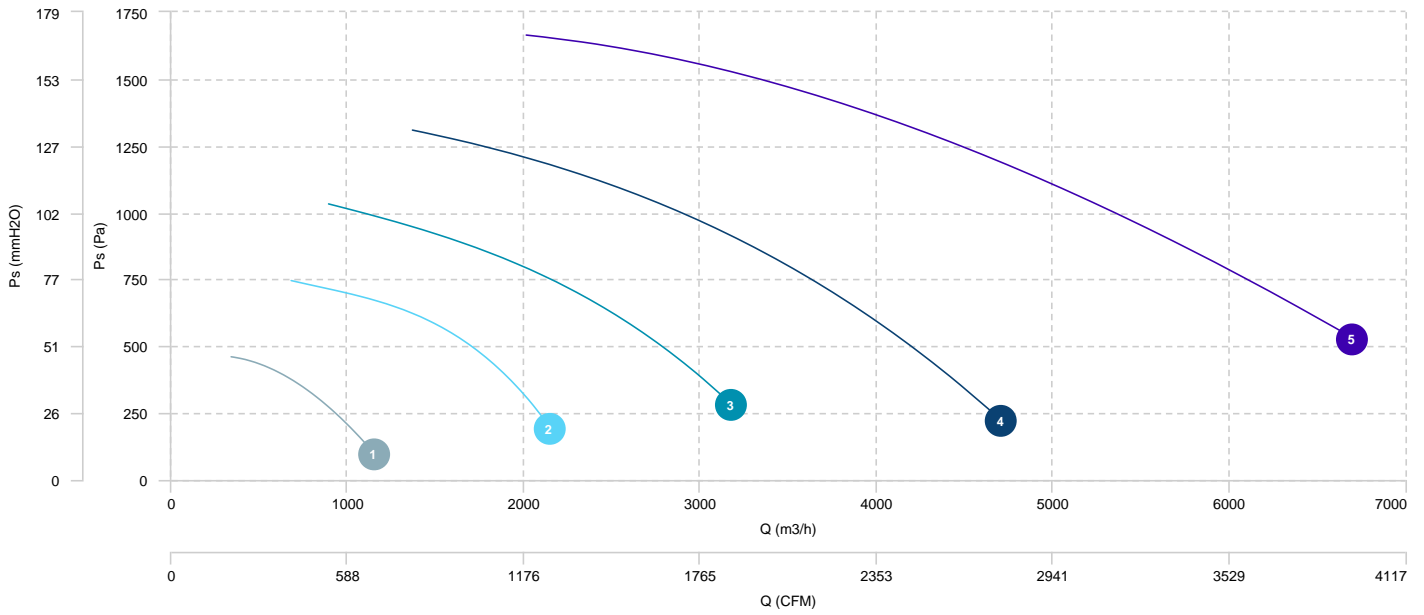
400/690V



CHARACTERISTIC CURVE

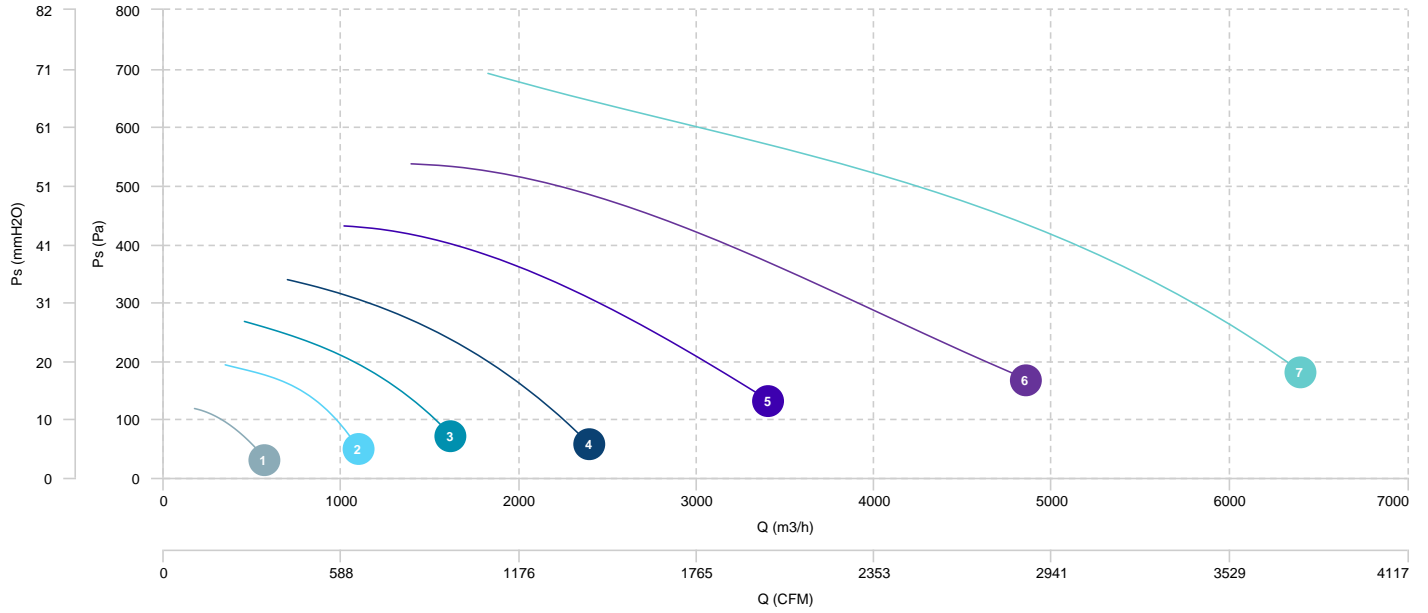
- 1 MBPX 20 T2 0,18kW
- 2 MBPX 25 T2 0,37kW
- 3 MBPX 28 T2 0,75kW
- 4 MBPX 31 T2 1,5kW
- 5 MBPX 35 T2 2,2kW

AIR FLOW - PRESSURE



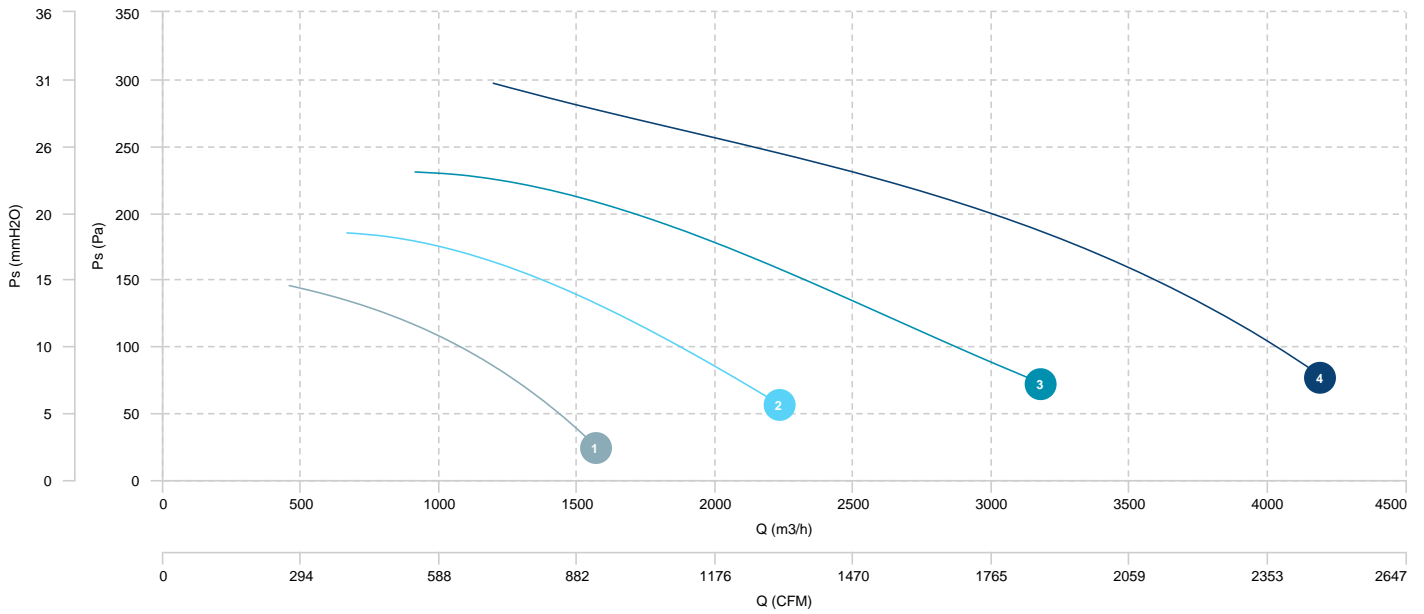
1	MBPX 20 T4 0,12kW	2	MBPX 25 T4 0,12kW	3	MBPX 28 T4 0,18kW	4	MBPX 31 T4 0,25kW
5	MBPX 35 T4 0,37kW	6	MBPX 40 T4 0,55kW	7	MBPX 45 T4 1,1kW		

AIR FLOW - PRESSURE



- 1 MBPX 31 T6 0,18kW
- 2 MBPX 35 T6 0,18kW
- 3 MBPX 40 T6 0,25kW
- 4 MBPX 45 T6 0,37kW

AIR FLOW - PRESSURE



SOUND DATA

SOUND / 2 poles

SOUND POWER Lw dB (A)										
Model		63 Hz	125 Hz	250 Hz	500 Hz	1000 Hz	2000 Hz	4000 Hz	8000 Hz	Total
MBPX 20 T2 0,18kW	Inlet	76	78	79	74	73	68	60	52	83
MBPX 25 T2 0,37kW	Inlet	83	85	86	81	80	75	67	59	91
MBPX 28 T2 0,75kW	Inlet	87	89	87	88	84	79	71	63	95
MBPX 31 T2 1,5kW	Inlet	90	92	90	91	87	82	74	66	97
MBPX 35 T2 2,2kW	Inlet	91	93	94	89	88	83	75	67	99

SOUND / 4 poles

SOUND POWER Lw dB (A)										
Model		63 Hz	125 Hz	250 Hz	500 Hz	1000 Hz	2000 Hz	4000 Hz	8000 Hz	Total
MBPX 20 T4 0,12kW	Inlet	61	63	64	59	58	53	45	37	68
MBPX 25 T4 0,12kW	Inlet	68	70	71	66	65	60	52	44	75
MBPX 28 T4 0,18kW	Inlet	71	73	71	72	68	63	55	47	79
MBPX 31 T4 0,25kW	Inlet	74	76	74	75	71	66	58	50	81
MBPX 35 T4 0,37kW	Inlet	76	78	79	74	73	68	60	52	83
MBPX 40 T4 0,55kW	Inlet	81	83	84	79	78	73	65	57	88
MBPX 45 T4 1,1kW	Inlet	81	83	84	79	78	73	65	57	89

SOUND / 6 poles

SOUND POWER Lw dB (A)										
Model		63 Hz	125 Hz	250 Hz	500 Hz	1000 Hz	2000 Hz	4000 Hz	8000 Hz	Total
MBPX 31 T6 0,18kW	Inlet	63	65	63	64	60	55	47	39	71
MBPX 35 T6 0,18kW	Inlet	65	67	68	63	62	57	49	41	73
MBPX 40 T6 0,25kW	Inlet	70	72	73	68	67	62	54	46	78
MBPX 45 T6 0,37kW	Inlet	70	72	73	68	67	62	54	46	78