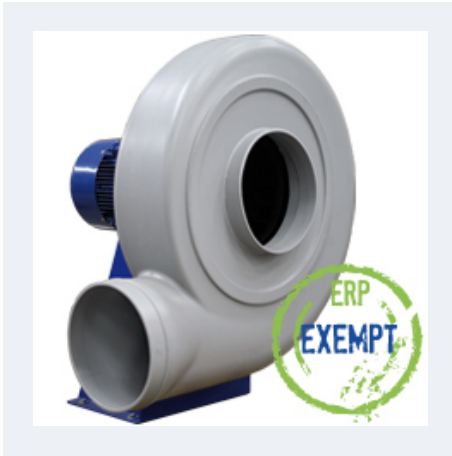


MBPCX



PLASTIC ATEX FAN WITH FORWARD IMPELLER

MANUFACTURING FEATURES

- Antistatic PE-el housing.
- Forward curved impeller in PP plastic.
- Motor support made of rolled steel sheet with epoxy powder finishing coat.
- Stainless steel nuts and bolts.
- Standard asynchronous squirrel-cage motor, IP-55, class F insulation. Standard voltages 230/400V 50Hz. Equipped with II2G Eex-d motors
- Standard orientation: LG270.

APPLICATIONS

Designed for inline installation, they are suitable for:

- Corrosive air transport.
- Chemical and petrochemical industry.
- Laboratories and gas cabinets.
- General ventilation in closed environments classified as ATEX zone 2.
- Maximum working temperature: 50°C.

ACCESSORIES



INT



EASY
KPE

UNDER REQUEST

- 60Hz fans and special voltages fans.
- Stainless steel motor support.
- Orientación: RD0, RD45, RD90, RD135, RD180, RD225, RD270, RD315, LG0, LG45, LG90, LG135, LG180, LG225, LG315.

In compliance with the 94/9/CE Directive. ATEX II2G built. Certified II3G with certified ATEX EEx-d II2G motor for areas 2 (gas) or 22 (dust).

TECHNICAL DATA

THREE-PHASE MOTOR / 2 poles

Code	Model	R.P.M.	Rated I. (A) 400V	Rated power kW	Max. Airflow m3/h	Sound db (A)*	Weight Kg	Connect. diagram
503102014	MBPCX 20 T2 0,25kW	2850	0,74	0,25	800	68	17	1
503102517	MBPCX 25 T2 0,75kW	2850	2	0,75	1.500	73	24	1
503102818	MBPCX 28 T2 1,1kW	2850	2,6	1,1	2.100	78	33	1
503103119	MBPCX 31 T2 1,5kW	2850	3,95	1,5	2.510	82	45	1
503103527	MBPCX 35 T2 2,2kW	2850	5,4	2,2	2.710	81	82	1

THREE-PHASE MOTOR / 4 poles

Code	Model	R.P.M.	Rated I. (A) 400V	Rated power kW	Max. Airflow m3/h	Sound db (A)*	Weight Kg	Connect. diagram
503102039	MBPCX 20 T4 0,12kW	1370	0,71	0,12	440	52	17	1
503102540	MBPCX 25 T4 0,18kW	1370	0,76	0,18	780	57	18	1
503102840	MBPCX 28 T4 0,18kW	1370	0,76	0,18	1.100	62	23	1
503103141	MBPCX 31 T4 0,25kW	1400	0,84	0,25	1.400	67	30	1
503103542	MBPCX 35 T4 0,37kW	1450	1,2	0,37	2.110	65	53	1
503104044	MBPCX 40 T4 0,75kW	1410	2,1	0,75	2.710	69	47	1
503104545	MBPCX 45 T4 1,5kW	1450	3,8	1,5	3.650	71	85	1
503105054	MBPCX 50 T4 2,2kW	1450	5,8	2,2	5.440	75	140	1

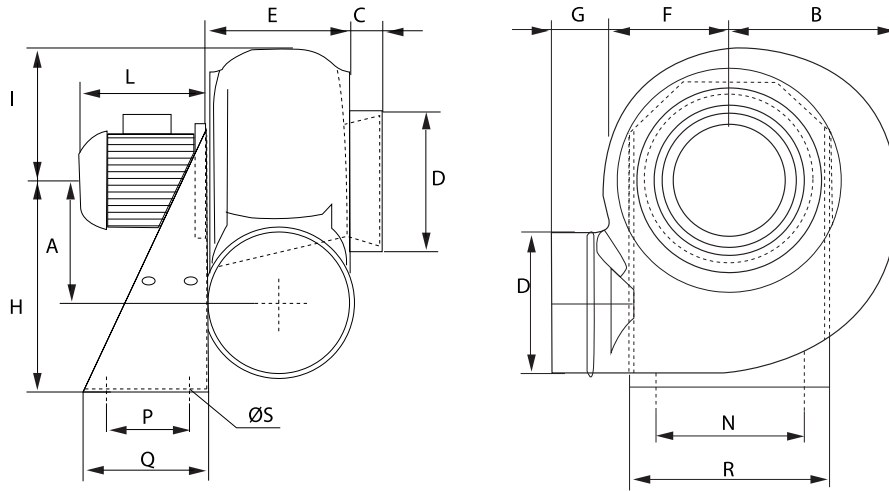
THREE-PHASE MOTOR / 6 poles

Code	Model	R.P.M.	Rated I. (A) 400V	Rated power kW	Max. Airflow m3/h	Sound db (A)*	Weight Kg	Connect. diagram
503103167	MBPCX 31 T6 0,12kW	930	0,55	0,12	920	56	30	1
503104069	MBPCX 40 T6 0,25kW	920	1	0,25	1.930	58	41	1
503105072	MBPCX 50 T6 0,75kW	900	2,2	0,75	4.090	63	125	1
503105678	MBPCX 56 T6 2,2kW	900	5,2	2,2	8.100	66	130	1

Notes:

* Total sound pressure level at the point of maximum flow measured in dB(A) in the suction measured in free field at a distance of 6m from the source

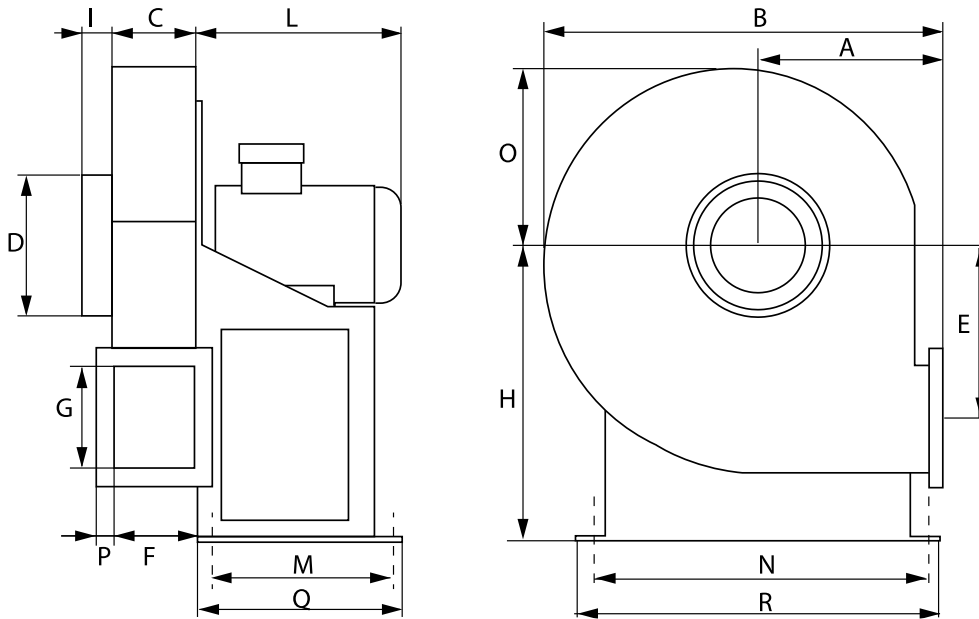
DIMENSIONS DIAGRAM



Model	A	B	C	DØ	E	F	G	H	I
MBPCX 20 T2 0,25kW	142	187	40	125	120	150	60	250	165
MBPCX 20 T4 0,12kW	142	187	40	125	120	150	60	250	165
MBPCX 25 T2 0,75kW	183	228	40	160	153	188	60	310	210
MBPCX 25 T4 0,18kW	183	228	40	160	153	188	60	310	210
MBPCX 28 T2 1,1kW	208	274	40	180	160	204	60	350	230
MBPCX 28 T4 0,18kW	208	274	40	180	160	204	60	350	230
MBPCX 31 T2 1,5kW	230	310	40	200	170	220	60	410	245
MBPCX 31 T4 0,25kW	230	310	40	200	170	220	60	410	245
MBPCX 31 T6 0,12kW	230	310	40	200	170	220	60	410	245
MBPCX 40 T4 0,75kW	290	380	40	250	194	265	80	495	330
MBPCX 40 T6 0,25kW	290	380	40	250	194	265	80	495	330

Model	L	N	P	Q	R	ØS
MBPCX 20 T2 0,25kW	195	200	100	140	235	11
MBPCX 20 T4 0,12kW	190	200	100	140	235	11
MBPCX 25 T2 0,75kW	220	255	100	140	290	11
MBPCX 25 T4 0,18kW	190	255	100	140	290	11
MBPCX 28 T2 1,1kW	190	277	120	190	316	11
MBPCX 28 T4 0,18kW	240	277	120	190	316	11
MBPCX 31 T2 1,5kW	290	320	150	230	355	11

Model	L	N	P	Q	R	ØS
MBPCX 31 T4 0,25kW	210	320	150	230	355	11
MBPCX 31 T6 0,12kW	210	320	150	230	355	11
MBPCX 40 T4 0,75kW	240	330	170	250	365	11
MBPCX 40 T6 0,25kW	220	330	170	250	365	11



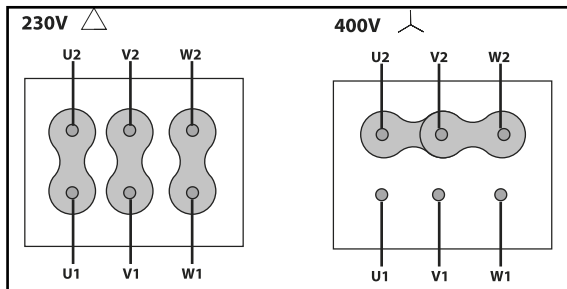
Model	A	B	C	D	E	F	G	H	I
MBPCX 35 T2 2,2kW	270	598	185	225	275	175	250	445	50
MBPCX 35 T4 0,37kW	270	598	185	225	275	175	252	445	50
MBPCX 45 T4 1,5kW	340	722	220	280	292	210	300	550	80
MBPCX 50 T4 2,2kW	400	890	270	315	377	260	365	630	80
MBPCX 50 T6 0,75kW	400	890	270	315	377	260	365	630	80
MBPCX 56 T6 2,2kW	438	998	320	400	416	310	460	710	80

Model	L	M	N	O	Q	R
MBPCX 35 T2 2,2kW	270	150	350	40	230	385
MBPCX 35 T4 0,37kW	210	150	350	285	230	385
MBPCX 45 T4 1,5kW	260	170	370	350	250	410
MBPCX 50 T4 2,2kW	355	197	290	50	275	340
MBPCX 50 T6 0,75kW	320	197	290	50	275	340
MBPCX 56 T6 2,2kW	380	237	289	50	315	340

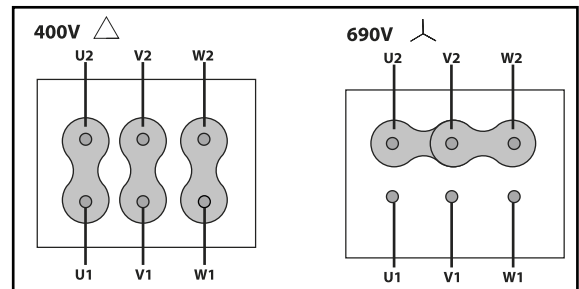
WIRING DIAGRAM

DIAGRAM Nº 1

230/400V



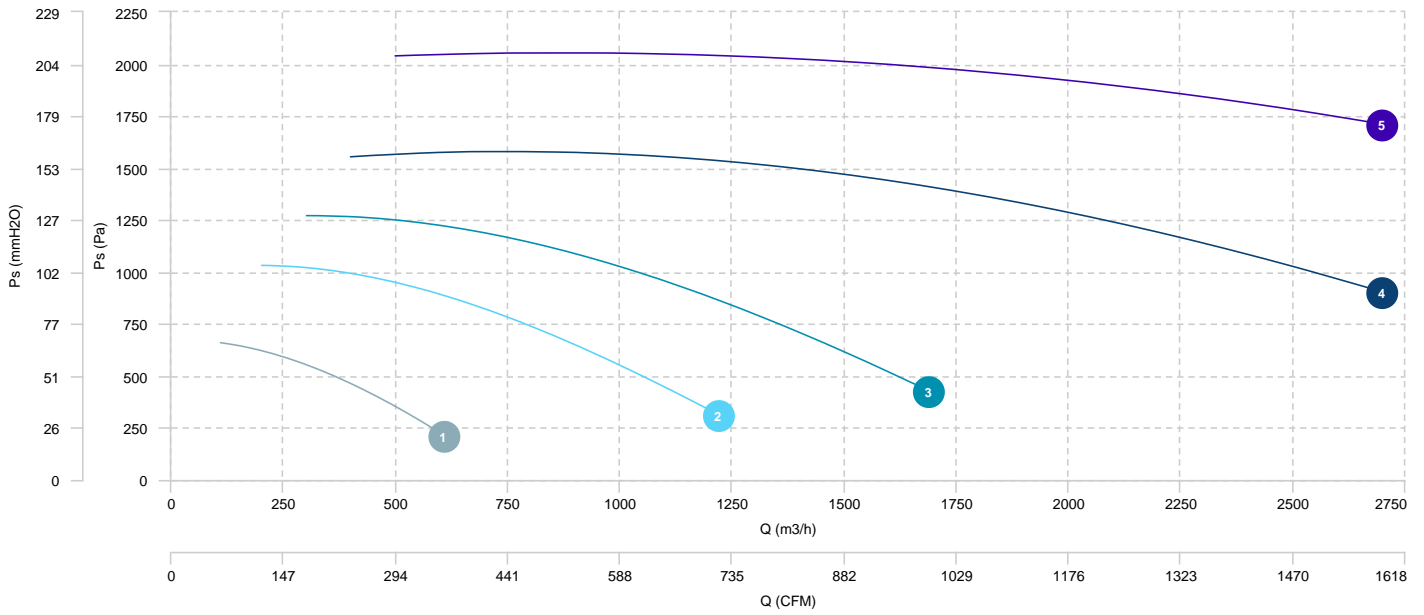
400/690V



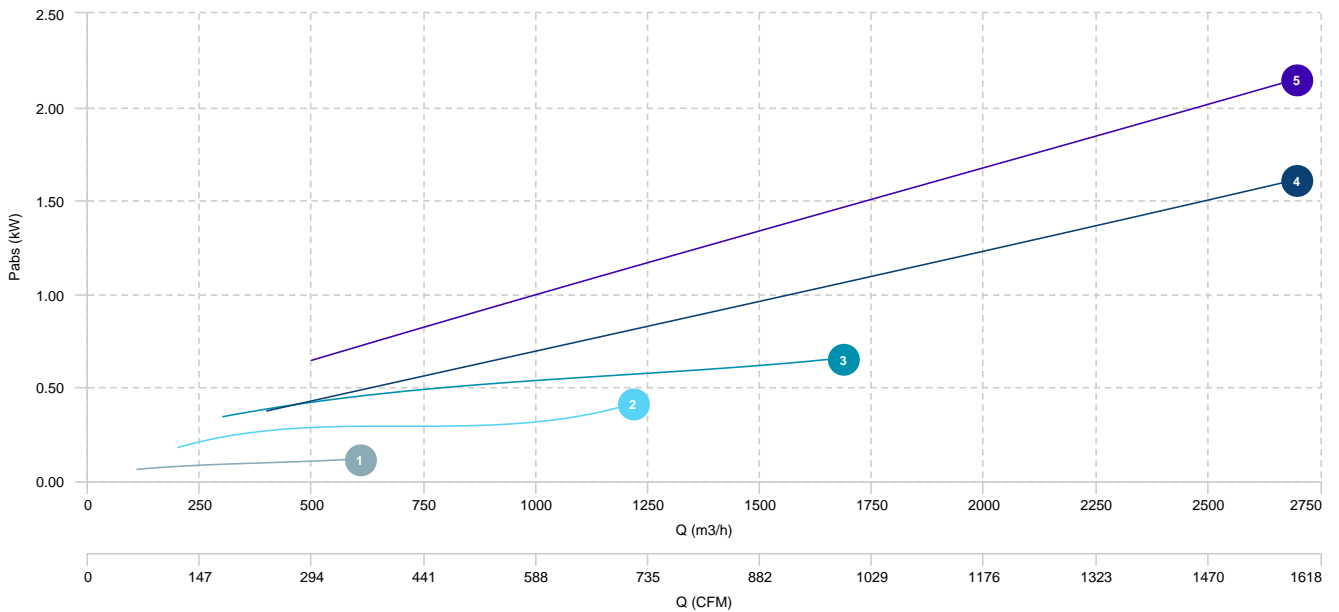
CHARACTERISCTIC CURVE

- 1 MBPCX 20 T2 0,25kW
- 2 MBPCX 25 T2 0,75kW
- 3 MBPCX 28 T2 1,1kW
- 4 MBPCX 31 T2 1,5kW
- 5 MBPCX 35 T2 2,2kW

AIR FLOW - PRESSURE

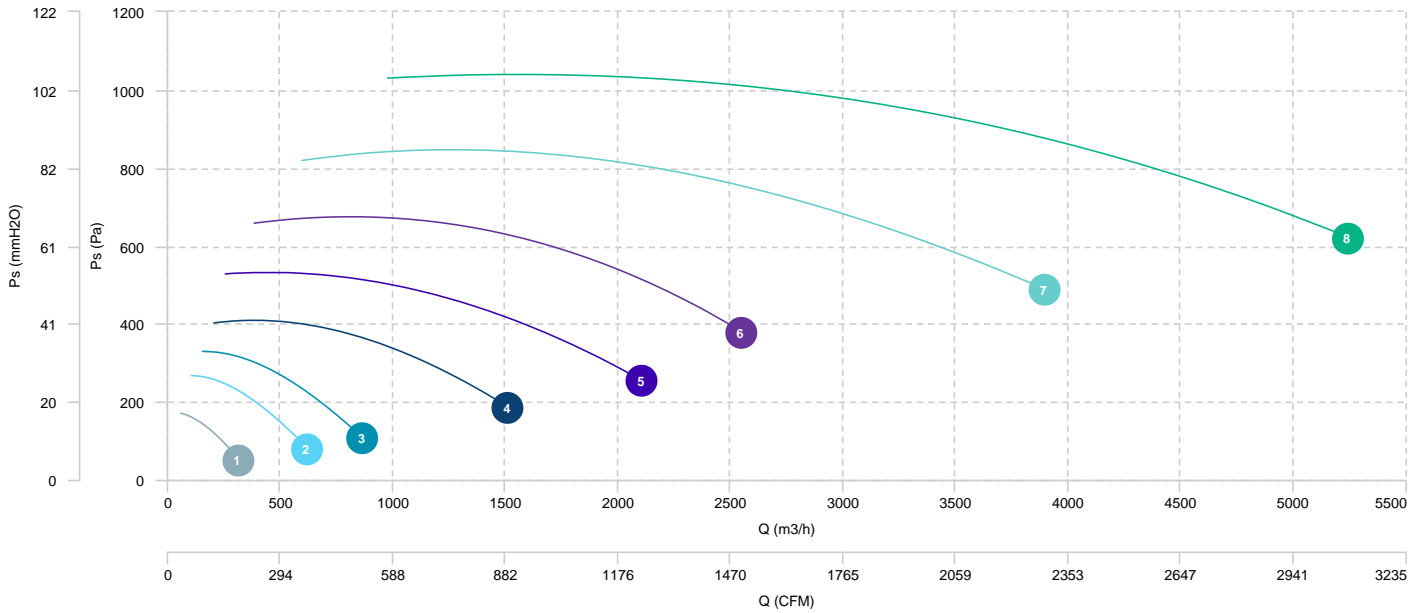


AIR FLOW - MECHANICAL POWER

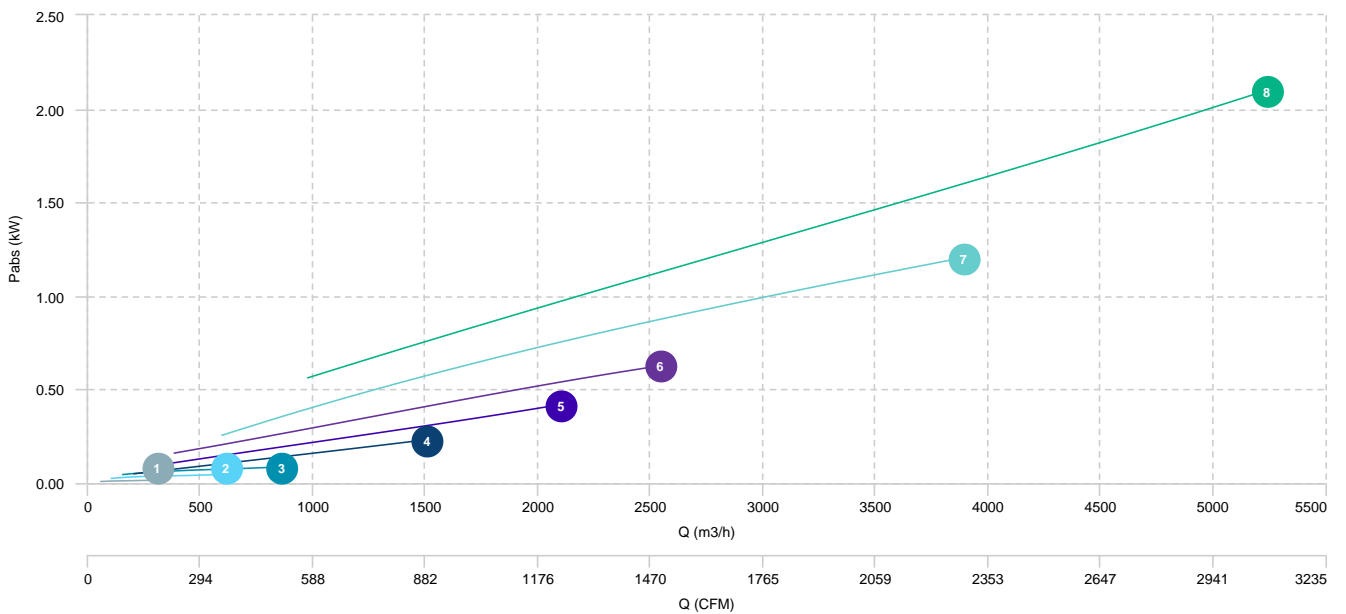


1	MBPCX 20 T4 0,12kW	2	MBPCX 25 T4 0,18kW	3	MBPCX 28 T4 0,18kW	4	MBPCX 31 T4 0,25kW
5	MBPCX 35 T4 0,37kW	6	MBPCX 40 T4 0,75kW	7	MBPCX 45 T4 1,5kW	8	MBPCX 50 T4 2,2kW

AIR FLOW - PRESSURE

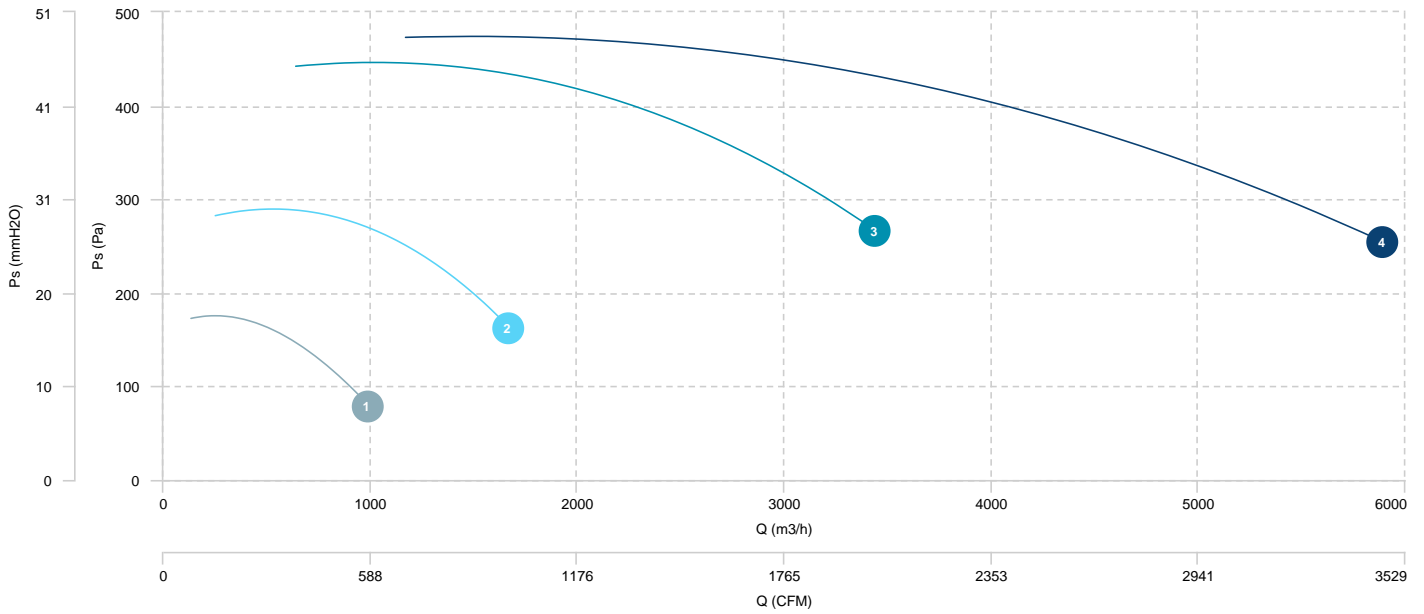


AIR FLOW - MECHANICAL POWER

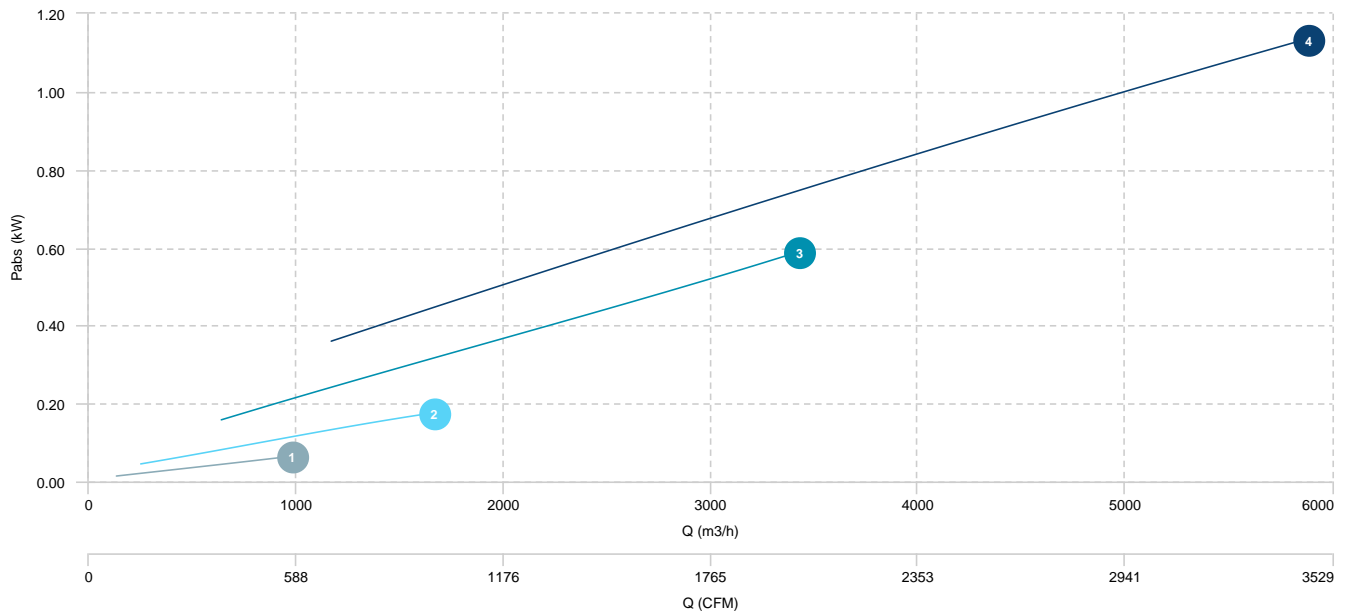


- 1 MBPCX 31 T6 0,12kW
- 2 MBPCX 40 T6 0,25kW
- 3 MBPCX 50 T6 0,75kW
- 4 MBPCX 56 T6 2,2kW

AIR FLOW - PRESSURE



AIR FLOW - ABSORBED POWER



SOUND DATA

SOUND / 2 poles

SOUND POWER Lw dB (A)										
Model		63 Hz	125 Hz	250 Hz	500 Hz	1000 Hz	2000 Hz	4000 Hz	8000 Hz	Total
MBPCX 20 T2 0,25kW	Inlet	86	88	86	84	86	78	70	62	94
MBPCX 25 T2 0,75kW	Inlet	92	94	92	90	92	84	76	68	99
MBPCX 28 T2 1,1kW	Inlet	96	98	96	94	96	88	80	72	104
MBPCX 31 T2 1,5kW	Inlet	101	103	101	99	101	93	85	77	108
MBPCX 35 T2 2,2kW	Inlet	99	101	99	97	99	91	83	75	107

SOUND / 4 poles

SOUND POWER Lw dB (A)										
Model		63 Hz	125 Hz	250 Hz	500 Hz	1000 Hz	2000 Hz	4000 Hz	8000 Hz	Total
MBPCX 20 T4 0,12kW	Inlet	70	72	70	68	70	62	54	46	78
MBPCX 25 T4 0,18kW	Inlet	76	78	76	74	76	68	60	52	83
MBPCX 28 T4 0,18kW	Inlet	81	83	81	79	81	73	65	57	88
MBPCX 31 T4 0,25kW	Inlet	85	87	85	83	85	77	69	61	93
MBPCX 35 T4 0,37kW	Inlet	83	85	83	81	83	75	67	59	91
MBPCX 40 T4 0,75kW	Inlet	88	90	88	86	88	80	72	64	95
MBPCX 45 T4 1,5kW	Inlet	90	92	90	88	90	82	74	66	97
MBPCX 50 T4 2,2kW	Inlet	93	95	93	94	90	85	77	69	101

SOUND / 6 poles

SOUND POWER Lw dB (A)										
Model		63 Hz	125 Hz	250 Hz	500 Hz	1000 Hz	2000 Hz	4000 Hz	8000 Hz	Total
MBPCX 31 T6 0,12kW	Inlet	75	77	75	73	75	67	59	51	82
MBPCX 40 T6 0,25kW	Inlet	77	79	77	75	77	69	61	53	84
MBPCX 50 T6 0,75kW	Inlet	82	84	82	83	79	74	66	58	89
MBPCX 56 T6 2,2kW	Inlet	85	87	85	86	82	77	69	61	92