

HJBM



SQUARE WALL PLATE FAN, VARIABLE PITCH BLADES

MANUFACTURING FEATURES

- Square plate made of galvanized steel sheet.
- Variable pitch angle polyamide impeller reinforced with fibreglass.
- Supplied with motor support and protection guard according to the ROHS 2002/95/EC Directive (Restriction of the Use of Certain Hazardous Substances in Electrical and Electronic Equipments).
- Standard asynchronous squirrel-cage motor with IP-55 protection (wiring box IP-65) and Class F insulation. Manufactured with standard voltages: 230V 50Hz in single phase motors and 230/400V 50Hz in three phase motors.

APPLICATIONS

Designed for wall assembly, they are suitable for:

- Air renewal in buildings and industries.
- Maximum working temperature: single phase 50°C, three phase 60°C.

ACCESSORIES



INT



EASY
KPE



RP0



PC2



PCP



SFC

UNDER REQUEST

- B form impeller (air flow from impeller to motor).
- 100% reversible impeller.
- Aluminium impeller.
- 60Hz fans and special voltages.

TECHNICAL DATA

SINGLE-PHASE MOTOR / 2 poles

Code	Model	R.P.M.	Rated I. (A) 230V	Rated power kW	Max. Airflow m3/h	Sound db (A)*	Weight Kg	Connect. diagram
268352103	HJBM 35 M2 0,55kW	2800	3,71	0,55	4.690	59	7,5	1

SINGLE-PHASE MOTOR / 4 poles

Code	Model	R.P.M.	Rated I. (A) 230V	Rated power kW	Max. Airflow m3/h	Sound db (A)*	Weight Kg	Connect. diagram
268362103	HJBM 35 M4 0,12kW	1380	1,15	0,12	3.100	42	6,5	1
268402103	HJBM 40 M4 0,18kW	1400	1,55	0,18	4.710	47	9	1
268452103	HJBM 45 M4 0,37kW	1400	2,82	0,37	6.430	48	12,5	1
268502103	HJBM 50 M4 0,55kW	1400	3,98	0,55	8.170	49	18	1
268562103	HJBM 56 M4 0,75kW	1400	5,21	0,75	10.600	52	22	1

SINGLE-PHASE MOTOR / 6 poles

Code	Model	R.P.M.	Rated I. (A) 230V	Rated power kW	Max. Airflow m3/h	Sound db (A)*	Weight Kg	Connect. diagram
268412103	HJBM 40 M6 0,09kW	920	0,92	0,09	2.770	36	9	1
268512103	HJBM 50 M6 0,18kW	850	1,7	0,18	5.290	40	15	1
268572103	HJBM 56 M6 0,25kW	870	2,42	0,25	6.840	43	19	1

THREE-PHASE MOTOR / 2 poles

Code	Model	R.P.M.	Rated I. (A) 400V	Rated power kW	Max. Airflow m3/h	Sound db (A)*	Weight Kg	Connect. diagram
268352106	HJBM 35 T2 0,55kW	2800	1,29	0,55	4.690	59	7,5	2

THREE-PHASE MOTOR / 4 poles

Code	Model	R.P.M.	Rated I. (A) 400V	Rated power kW	Max. Airflow m3/h	Sound db (A)*	Weight Kg	Connect. diagram
268362106	HJBM 35 T4 0,12kW	1400	0,46	0,12	3.100	42	6,5	2
268402106	HJBM 40 T4 0,18kW	1400	0,62	0,18	4.710	47	9	2
268452106	HJBM 45 T4 0,37kW	1400	1,07	0,37	6.430	48	12,5	2
268502106	HJBM 50 T4 0,55kW	1400	1,49	0,55	8.170	49	18	2

Code	Model	R.P.M.	Rated I. (A) 400V	Rated power kW	Max. Airflow m3/h	Sound db (A)*	Weight Kg	Connect. diagram
268562106	HJBM 56 T4 0,75kW	1390	1,63	0,75	10.600	52	22	2

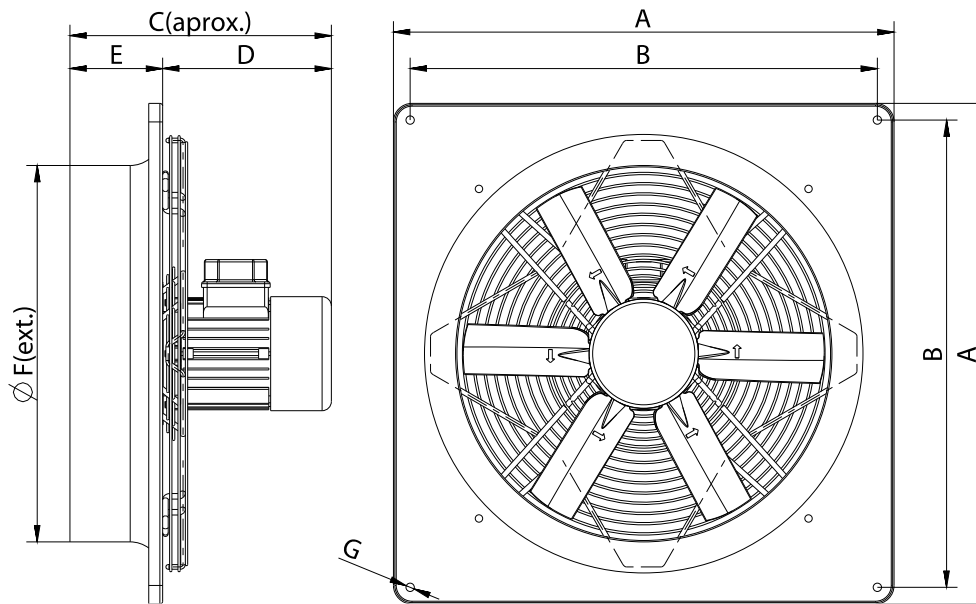
THREE-PHASE MOTOR / 6 poles

Code	Model	R.P.M.	Rated I. (A) 400V	Rated power kW	Max. Airflow m3/h	Sound db (A)*	Weight Kg	Connect. diagram
268412106	HJBM 40 T6 0,09kW	840	0,51	0,09	2.770	36	9	2
268512106	HJBM 50 T6 0,18kW	900	0,72	0,18	5.290	40	15	2
268572106	HJBM 56 T6 0,25kW	900	0,92	0,25	6.840	43	19	2

Notes:

* Total sound pressure level at the point of maximum flow measured in dB(A) in the suction measured in free field at a distance of 6m from the source

DIMENSIONS DIAGRAM



Model	A	B	C	D	E	$\varnothing F$	$\varnothing G$
HJBM 35 M2 0,55kW	460	392	297,5	211,5	86	366	9
HJBM 35 M4 0,12kW	460	392	269,8	183,8	86	366	9
HJBM 35 T2 0,55kW	460	392	297,5	211,5	86	366	9
HJBM 35 T4 0,12kW	460	392	269,8	183,8	86	366	9
HJBM 40 M4 0,18kW	540	504	284,3	184,3	100	406	11
HJBM 40 M6 0,09kW	540	504	284,3	184,3	100	406	11
HJBM 40 T4 0,18kW	540	504	284,3	184,3	100	406	11
HJBM 40 T6 0,09kW	540	504	284,3	184,3	100	406	11
HJBM 45 M4 0,37kW	576	521,5	310	210	100	455	11
HJBM 45 T4 0,37kW	576	521,5	310	210	100	455	11
HJBM 50 M4 0,55kW	655	599,4	339,5	219,5	120	508	11
HJBM 50 M6 0,18kW	655	599,4	323,6	203,5	120	508	11
HJBM 50 T4 0,55kW	655	599,4	339,5	219,5	120	508	11
HJBM 50 T6 0,18kW	655	599,4	323,6	203,5	120	508	11
HJBM 56 M4 0,75kW	725	650	339,5	219,5	120	560	11
HJBM 56 M6 0,25kW	725	650	323,5	203,5	120	560	11
HJBM 56 T4 0,75kW	725	650	339,5	219,5	120	560	11
HJBM 56 T6 0,25kW	725	650	323,5	203,5	120	560	11

WIRING DIAGRAM

DIAGRAM Nº 1

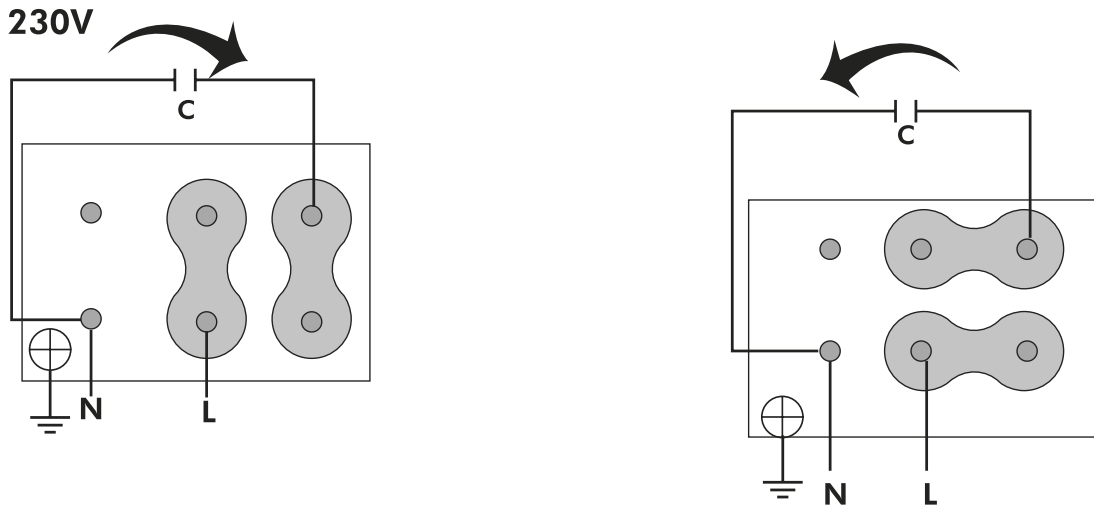
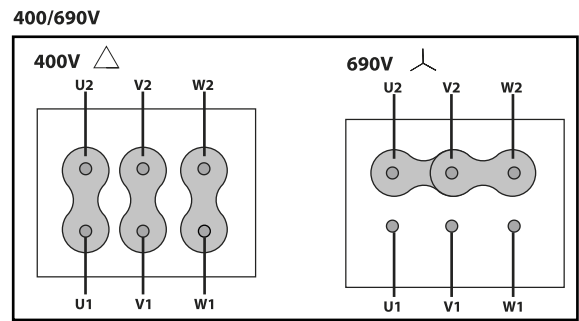
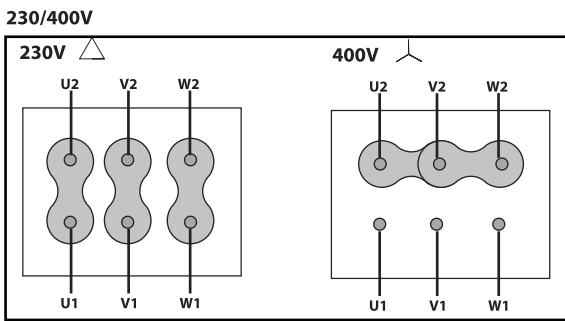


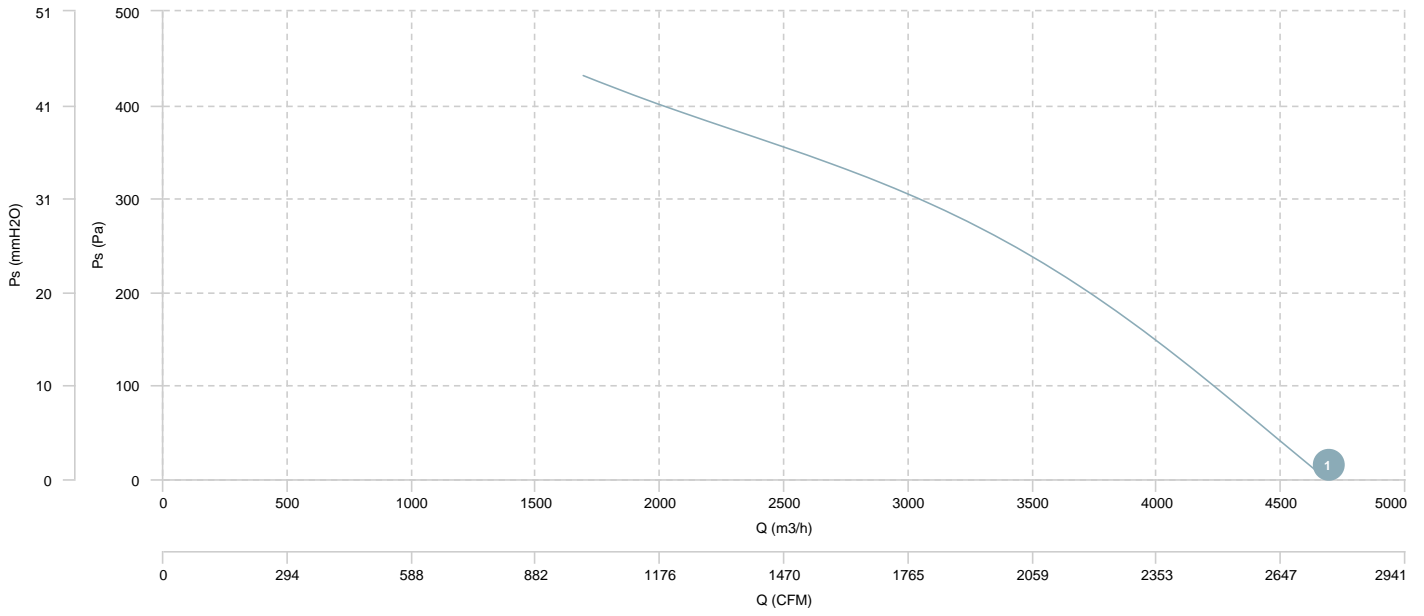
DIAGRAM Nº 2



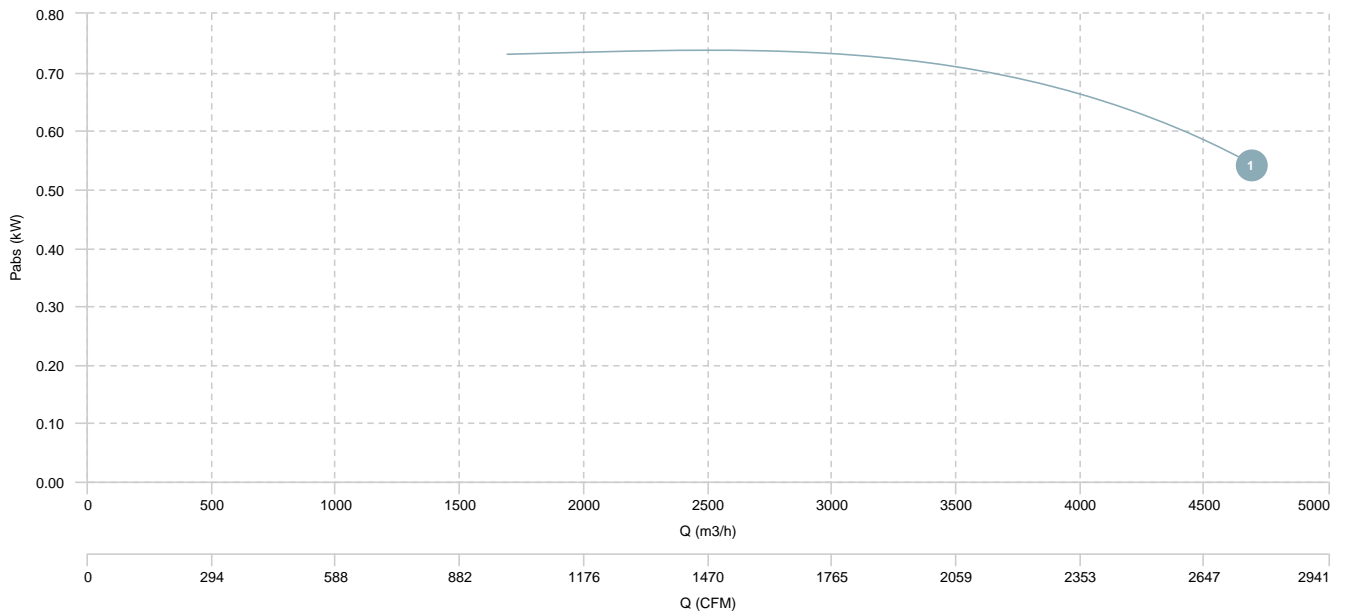
CHARACTERISCTIC CURVE

1 HJBM 35 M2 0,55kW

AIR FLOW - PRESSURE

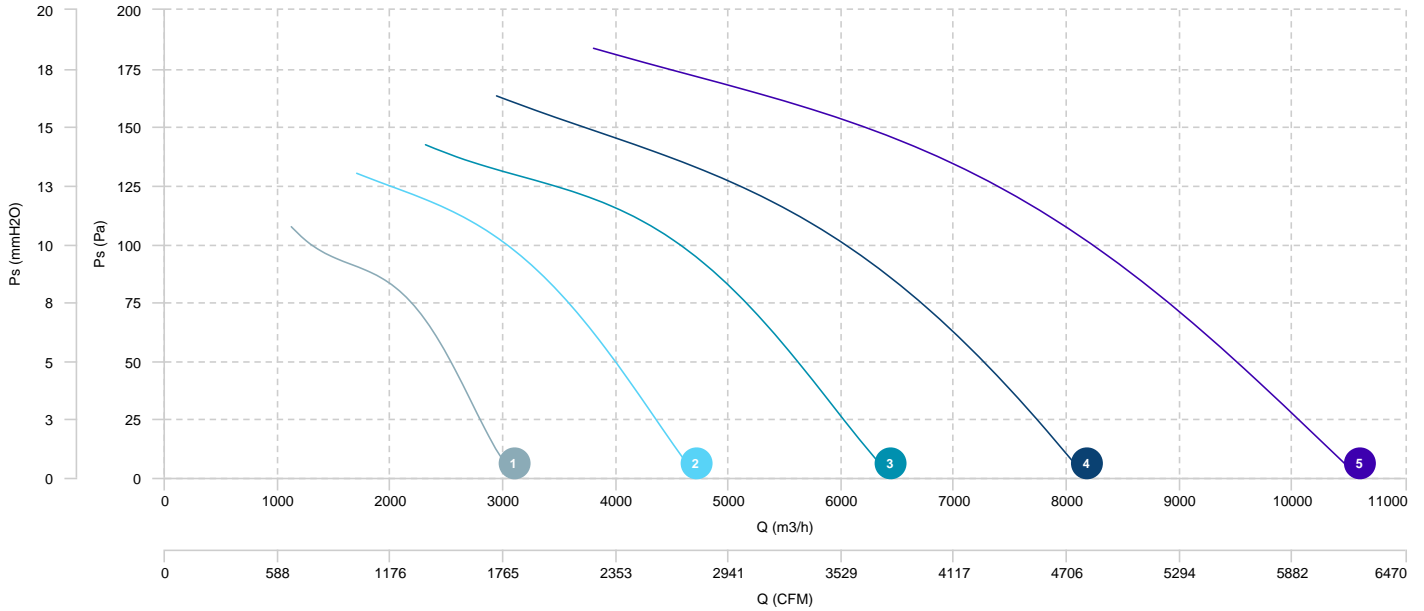


AIR FLOW - ABSORBED POWER

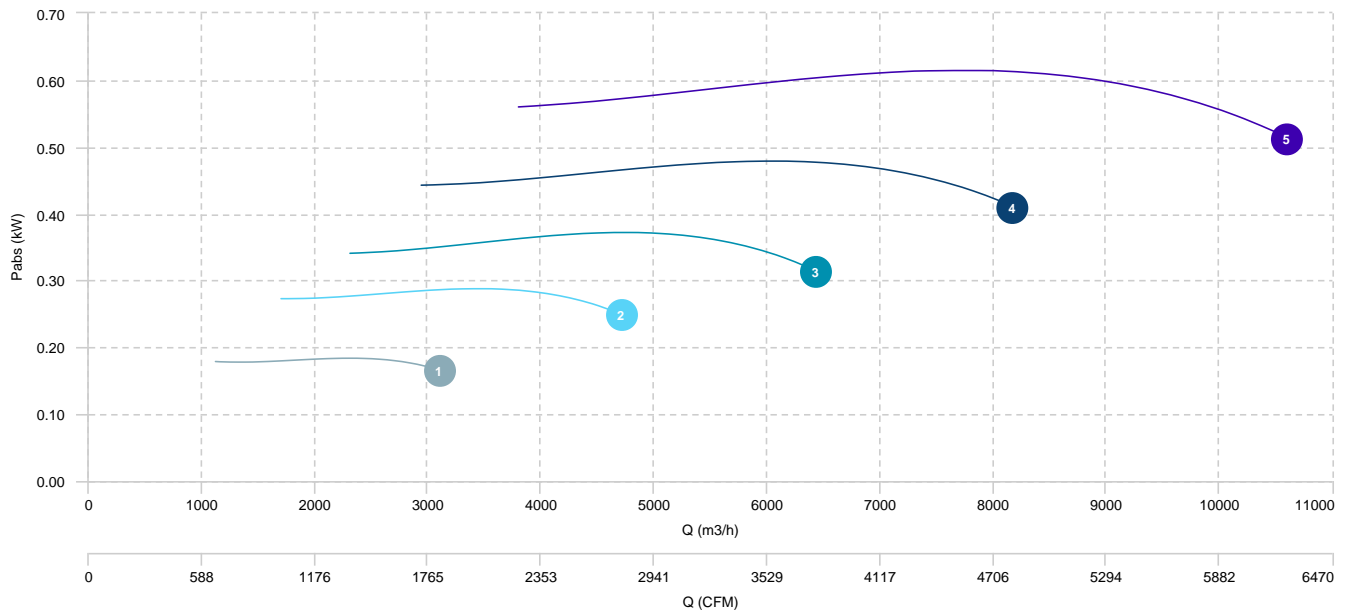


- 1 HJBM 35 M4 0,12kW
- 2 HJBM 40 M4 0,18kW
- 3 HJBM 45 M4 0,37kW
- 4 HJBM 50 M4 0,55kW
- 5 HJBM 56 M4 0,75kW

AIR FLOW - PRESSURE



AIR FLOW - ABSORBED POWER

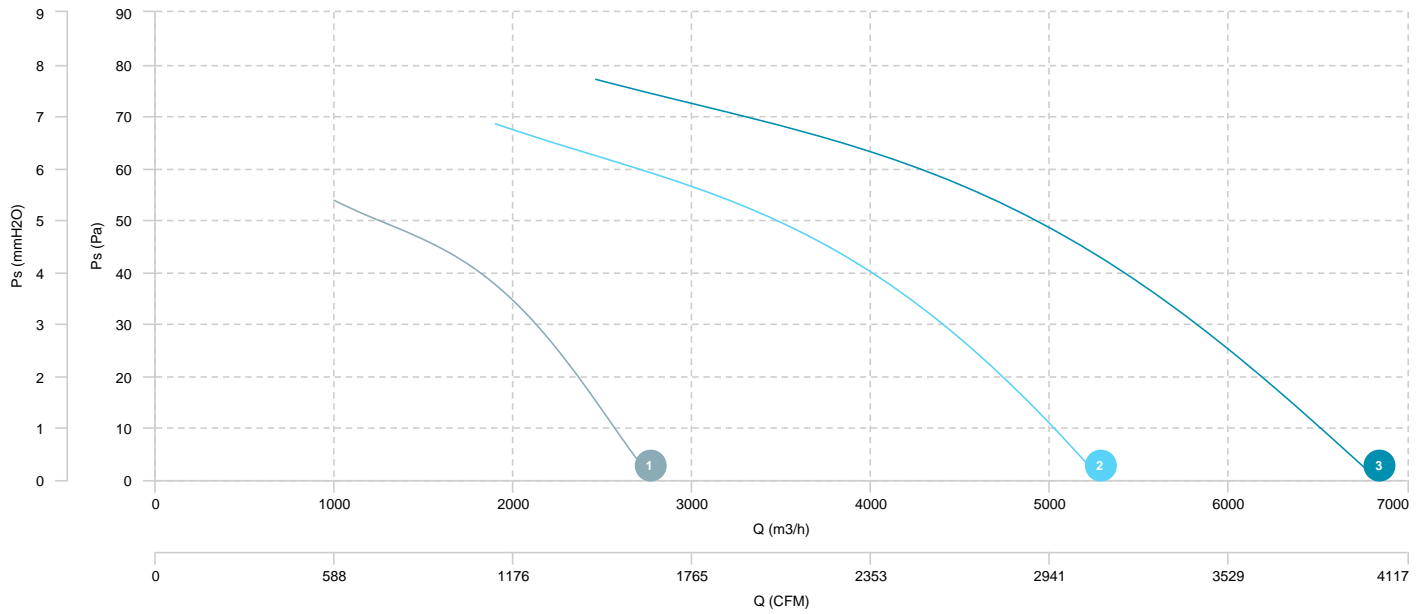


1 HJBM 40 M6 0,09kW

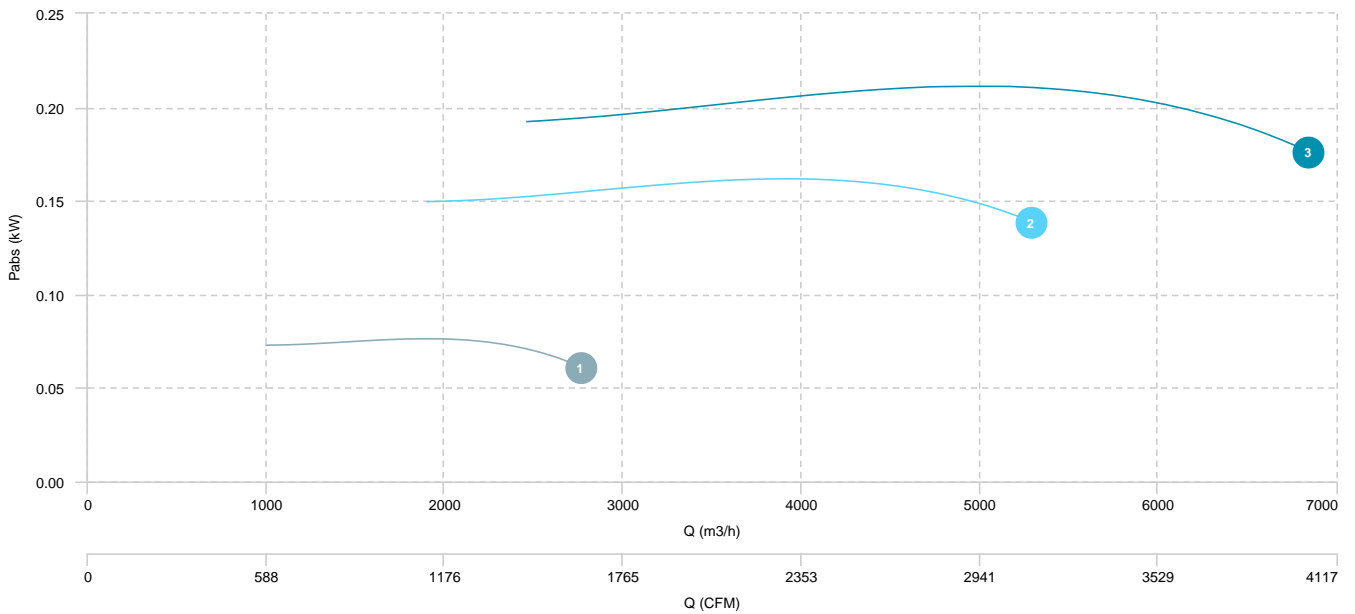
2 HJBM 50 M6 0,18kW

3 HJBM 56 M6 0,25kW

AIR FLOW - PRESSURE

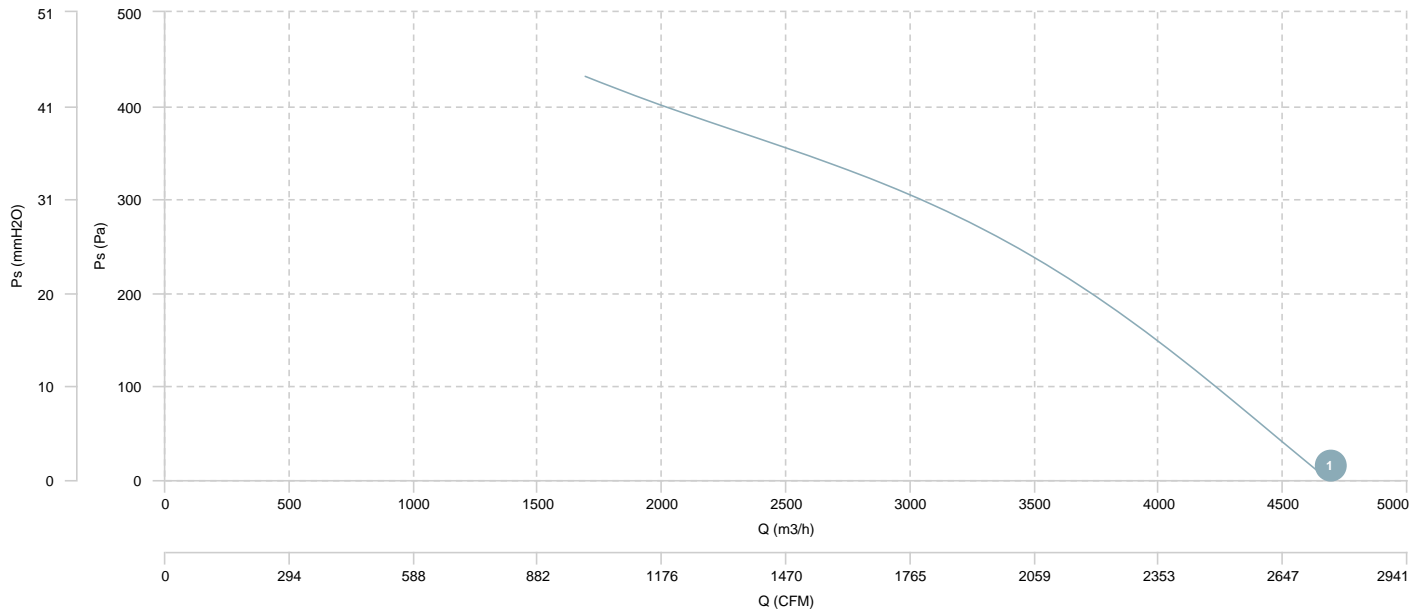


AIR FLOW - ABSORBED POWER

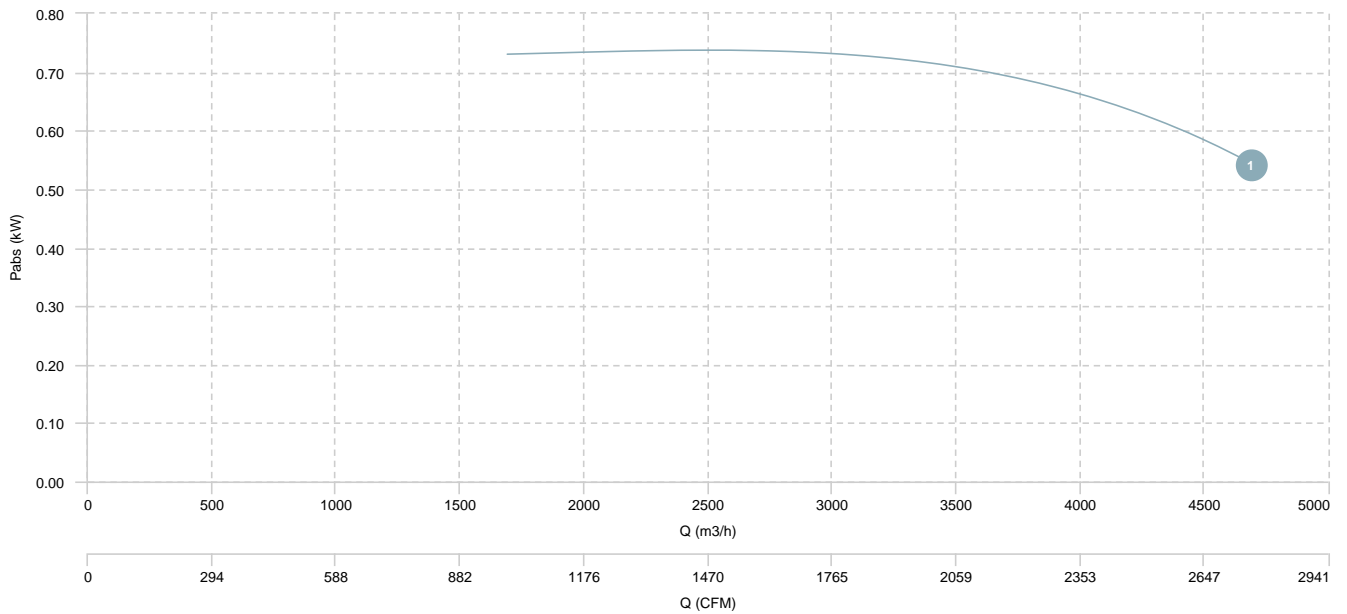


1 HJBM 35 T2 0,55kW

AIR FLOW - PRESSURE

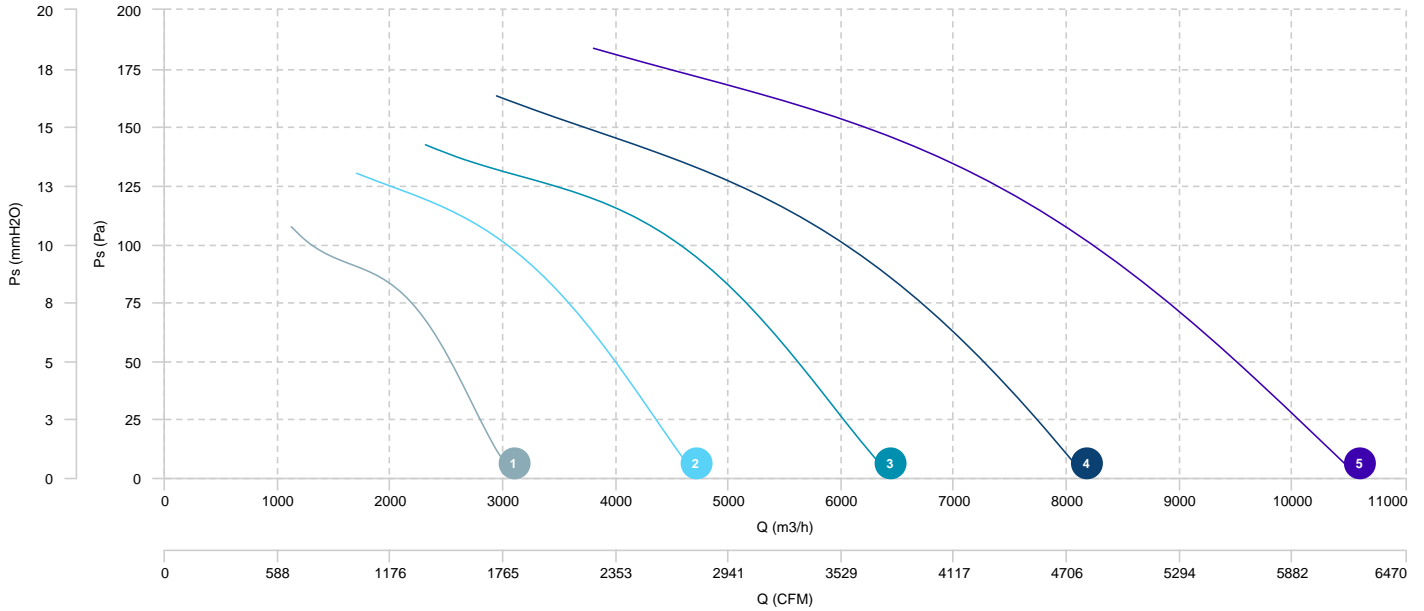


AIR FLOW - ABSORBED POWER

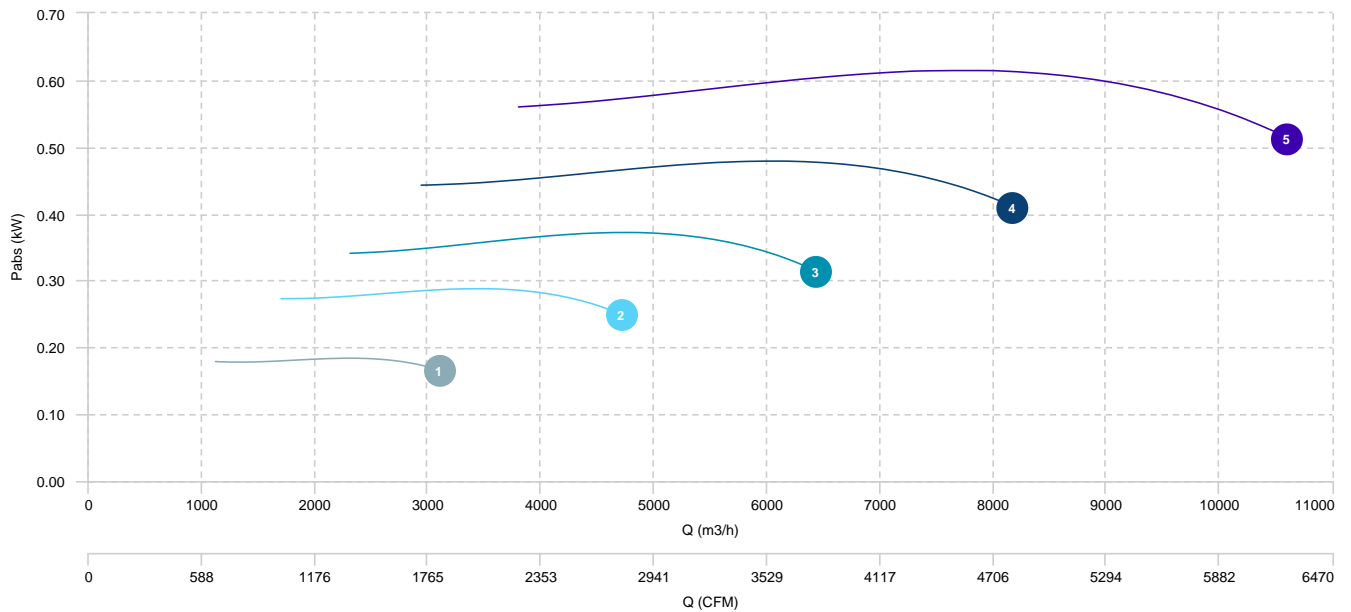


- 1 HJBM 35 T4 0,12kW
- 2 HJBM 40 T4 0,18kW
- 3 HJBM 45 T4 0,37kW
- 4 HJBM 50 T4 0,55kW
- 5 HJBM 56 T4 0,75kW

AIR FLOW - PRESSURE



AIR FLOW - ABSORBED POWER

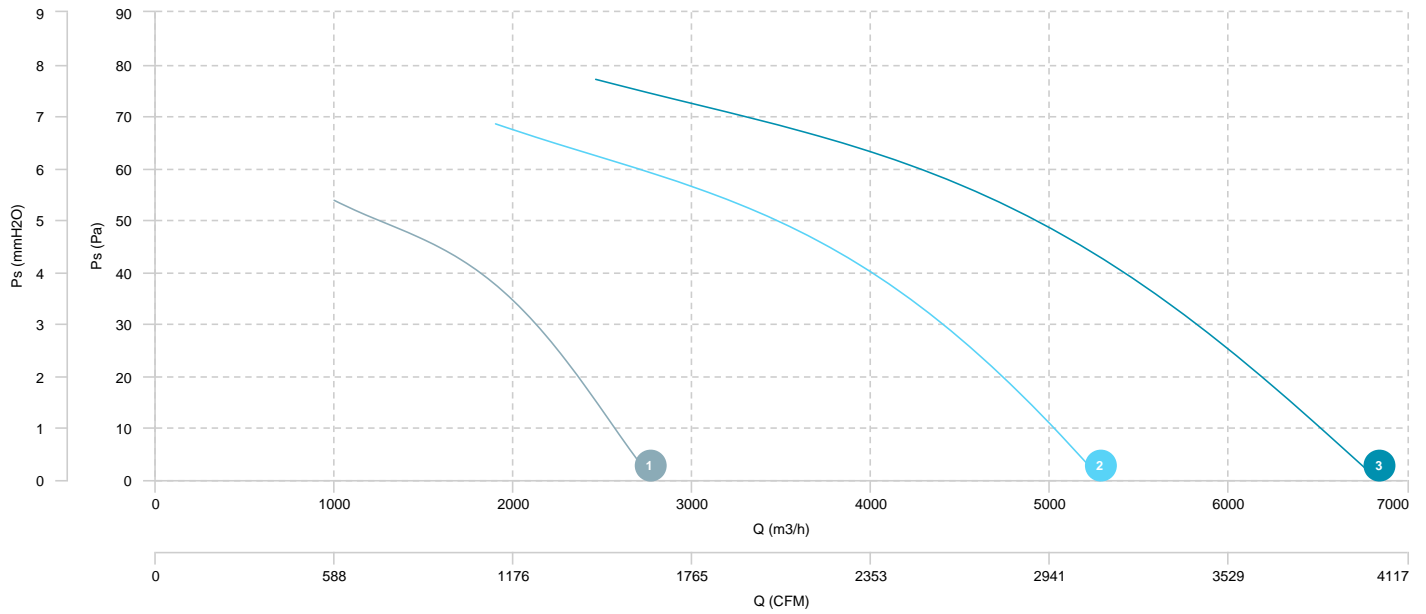


1 HJBM 40 T6 0,09kW

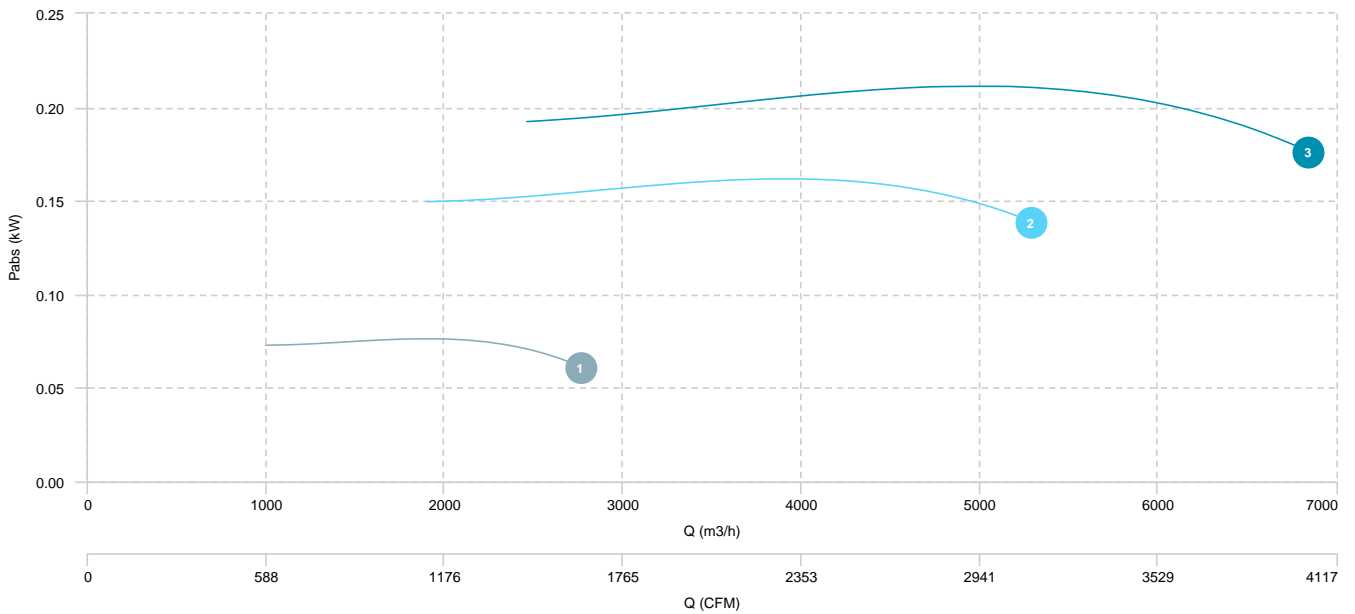
2 HJBM 50 T6 0,18kW

3 HJBM 56 T6 0,25kW

AIR FLOW - PRESSURE



AIR FLOW - ABSORBED POWER



SOUND DATA

SOUND / 2 poles

SOUND POWER Lw dB (A)										
Model		63 Hz	125 Hz	250 Hz	500 Hz	1000 Hz	2000 Hz	4000 Hz	8000 Hz	Total
HJBM 35 M2 0,55kW	Inlet	56	65	71	77	78	78	80	75	85
HJBM 35 T2 0,55kW	Inlet	56	65	71	77	78	78	80	75	85

SOUND / 4 poles

SOUND POWER Lw dB (A)										
Model		63 Hz	125 Hz	250 Hz	500 Hz	1000 Hz	2000 Hz	4000 Hz	8000 Hz	Total
HJBM 35 M4 0,12kW	Inlet	40	48	54	59	61	62	63	57	68
HJBM 35 T4 0,12kW	Inlet	40	48	54	59	61	62	63	57	68
HJBM 40 M4 0,18kW	Inlet	48	54	60	64	67	68	68	62	73
HJBM 40 T4 0,18kW	Inlet	48	54	60	64	67	68	68	62	73
HJBM 45 M4 0,37kW	Inlet	48	55	60	65	67	68	68	62	74
HJBM 45 T4 0,37kW	Inlet	48	55	60	65	67	68	68	62	74
HJBM 50 M4 0,55kW	Inlet	50	57	62	66	70	69	70	63	75
HJBM 50 T4 0,55kW	Inlet	50	57	62	66	70	69	70	63	75
HJBM 56 M4 0,75kW	Inlet	52	61	66	69	72	72	73	67	78
HJBM 56 T4 0,75kW	Inlet	52	61	66	69	72	72	73	67	78

SOUND / 6 poles

SOUND POWER Lw dB (A)										
Model		63 Hz	125 Hz	250 Hz	500 Hz	1000 Hz	2000 Hz	4000 Hz	8000 Hz	Total
HJBM 40 M6 0,09kW	Inlet	35	42	47	51	54	56	57	50	62
HJBM 40 T6 0,09kW	Inlet	35	42	47	51	54	56	57	50	62
HJBM 50 M6 0,18kW	Inlet	41	48	53	57	60	59	61	54	66
HJBM 50 T6 0,18kW	Inlet	41	48	53	57	60	59	61	54	66
HJBM 56 M6 0,25kW	Inlet	42	51	57	59	63	62	64	57	69
HJBM 56 T6 0,25kW	Inlet	42	51	57	59	63	62	64	57	69

ERP DATA

ERP	
Fan type	Axial fan
Installation category	A
Efficiency category	Static
The fan has to be installed with FSC	NO

ERP / 2 poles

Model	Mot. power (kW)	Maximum efficiency point data						
		Max. efficiency (%)	Efficiency grade (N)	Air Flow (m3/h)	Ps (Pa)	Pabs (kW)	Speed (rpm)	Specific Ratio
HJBM 35 M2 0,55kW	0,55	36,32	43,50	2.837,83	322,23	0,74	2800	1,00
HJBM 35 T2 0,55kW	0,55	36,32	43,50	2.837,83	322,23	0,74	2800	1,00

ERP / 4 poles

Model	Mot. power (kW)	Maximum efficiency point data						
		Max. efficiency (%)	Efficiency grade (N)	Air Flow (m3/h)	Ps (Pa)	Pabs (kW)	Speed (rpm)	Specific Ratio
HJBM 35 M4 0,12kW	0,12	25,37	36,38	1.882,54	86,41	0,18	1380	1,00
HJBM 35 T4 0,12kW	0,12	25,37	36,38	1.882,54	86,41	0,18	1400	1,00
HJBM 40 M4 0,18kW	0,18	30,06	39,84	2.842,12	105,98	0,28	1400	1,00
HJBM 40 T4 0,18kW	0,18	30,06	39,84	2.842,12	105,98	0,28	1400	1,00
HJBM 45 M4 0,37kW	0,37	36,08	45,18	3.914,72	117,07	0,37	1400	1,00
HJBM 45 T4 0,37kW	0,37	36,08	45,18	3.914,72	117,07	0,37	1400	1,00
HJBM 50 M4 0,55kW	0,55	39,11	47,52	4.911,57	128,71	0,47	1400	1,00
HJBM 50 T4 0,55kW	0,55	39,11	47,52	4.911,57	128,71	0,47	1400	1,00
HJBM 56 M4 0,75kW	0,75	44,77	52,49	6.317,05	147,95	0,60	1400	1,00
HJBM 56 T4 0,75kW	0,75	44,77	52,49	6.317,05	147,95	0,60	1390	1,00

ERP / 6 poles

Model	Mot. power (kW)	Maximum efficiency point data						
		Max. efficiency (%)	Efficiency grade (N)	Air Flow (m3/h)	Ps (Pa)	Pabs (kW)	Speed (rpm)	Specific Ratio
HJBM 50 M6 0,18kW	0,18	31,57	42,95	3.188,98	54,06	0,16	850	1,00
HJBM 50 T6 0,18kW	0,18	31,57	42,95	3.188,98	54,06	0,16	900	1,00
HJBM 56 M6 0,25kW	0,25	35,51	46,15	4.095,92	62,05	0,21	870	1,00

Model	Maximum efficiency point data							
	Mot. power (kW)	Max. efficiency (%)	Efficiency grade (N)	Air Flow (m3/h)	Ps (Pa)	Pabs (kW)	Speed (rpm)	Specific Ratio
HJBM 56 T6 0,25kW	0,25	35,51	46,15	4.095,92	62,05	0,21	900	1,00