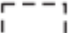


16022700002948
WIRING DIAGRAM
(INDOOR UNIT)

Note1:  This symbol indicates the element is optional, the actual shape shall be prevail.

Note2: Remove the short connector of J7 when you use the "on-off" function.

FOR MAIN-SLAVE SETTING				
SW5				
MODE	MAIN NO SLAVE	MAIN	MAIN	SLAVE
FACTORY SETTING	✓			

FOR ANTI-COLD WIND				
SW1				
MODE	24°C	15°C	8°C	EEPROM DEFAULT
FACTORY SETTING	✓			

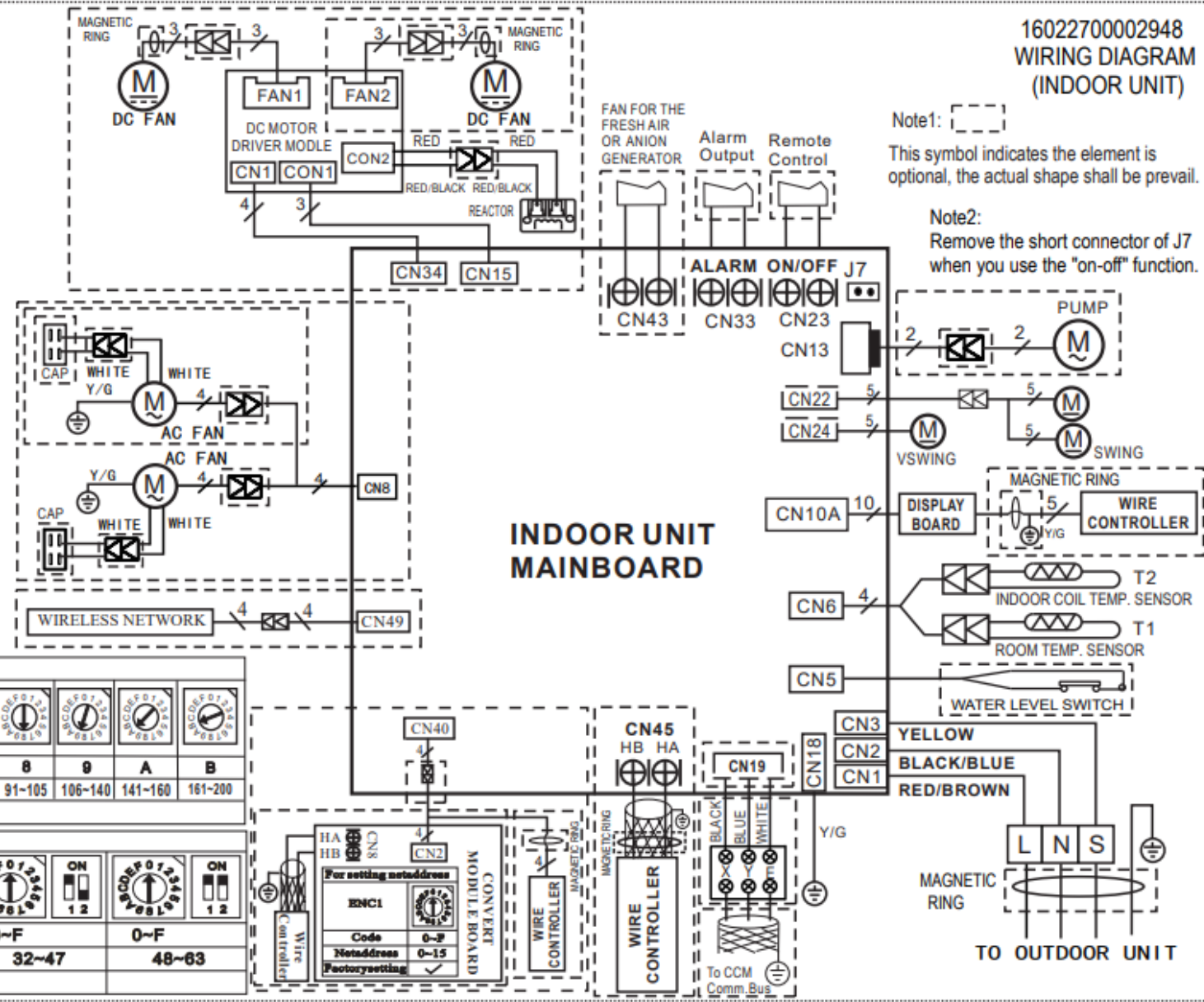
FOR SETTING FAN MOTOR CONTROL WHEN THERE IS NO DEMAND		
SW2		
MODE	FAN OFF	FAN ON
FACTORY SETTING	✓	

FOR SETTING AUTO-RESTART		
SW3		
MODE	AUTO-RESTART	NOT AUTO-RESTART
FACTORY SETTING	✓	

FOR TEMP. COMPENSATION(HEATING)				
SW6				
MODE	0°C	2°C	4°C	EEPROM DEFAULT
FACTORY SETTING	✓			

FOR SETTING POWER										
ENC1										
CODE	0	1	2	4	5	7	8	9	A	B
POWER	20	26	32-35	36-53	54-71	72-90	91-105	106-140	141-160	161-200
FACTORY SETTING	ACCORDING TO RELATED MODEL.									

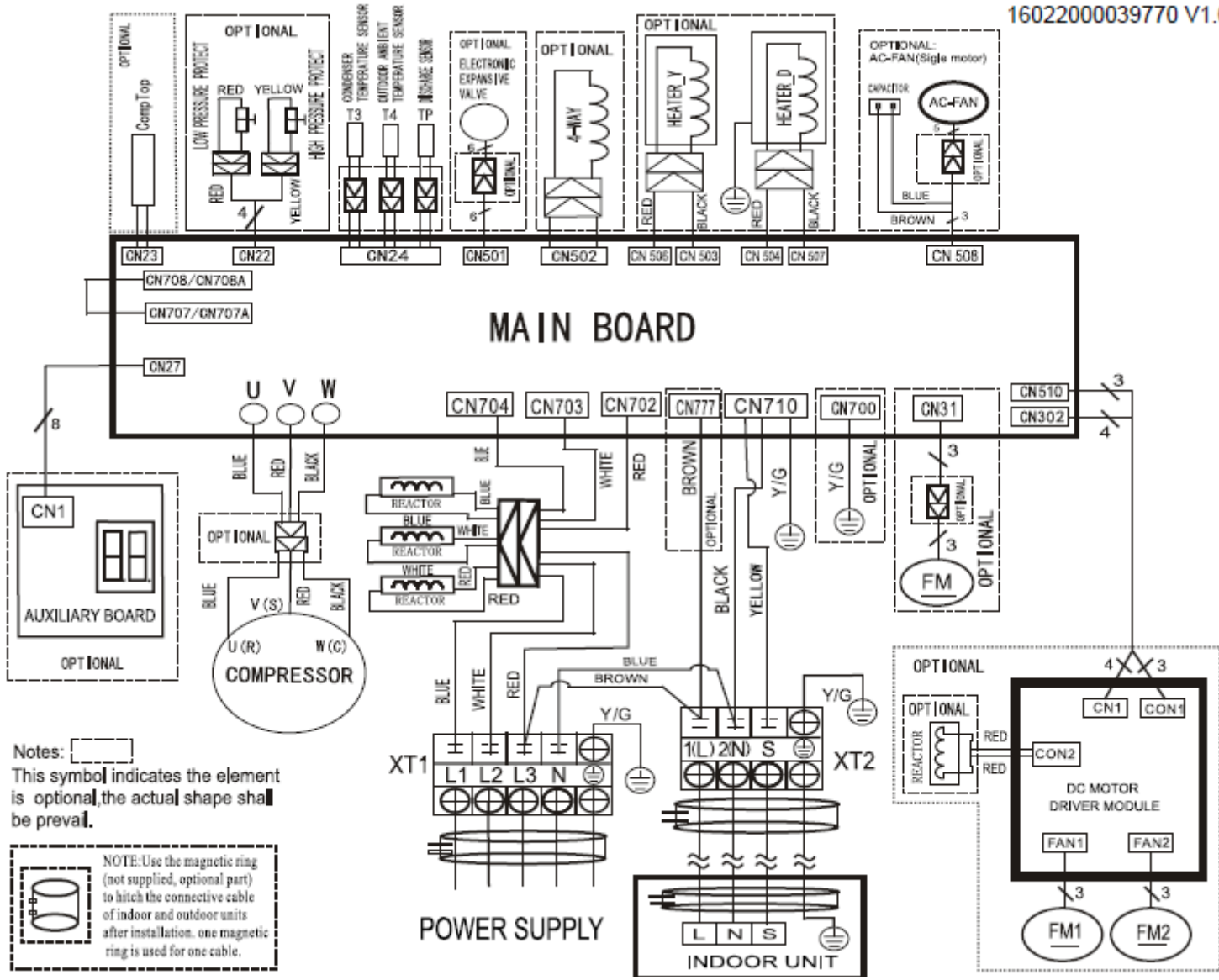
FOR SETTING NETADDRESS				
S1+S2				
CODE	0~F	0~F	0~F	0~F
NETADDRESS	0~15	16~31	32~47	48~63
FACTORY SETTING	✓			



Model:
AFI-140_180HRDC3A
Wiring diagram



2025-10-01



Model:
AOU-140_180HRDC3C
Wiring diagram