

16023000014052 WIRING DIAGRAM

FOR COOLING/HEATING OR COOLING ONLY MODE SETTING

SW1	ON	ON	ON
MODE	COOLING/HEATING	COOLING ONLY	
FACTORY SETTING	✓		

FOR SETTING FAN MOTOR CONTROL WHEN THERE IS NO DEMAND (SOME MODELS)

SW1	ON	ON	ON
MODE	FAN OFF	FAN ON	
FACTORY SETTING	✓		

FOR MAIN-SLAVE SETTING

SW1	ON	ON	ON	ON	ON
MODE	MAIN NO SLAVE	MAIN	MAIN	SLAVE	
FACTORY SETTING	✓				

FOR ANTI-COLD WIND

SW2	ON	ON	ON	ON	ON
TELO	24°C	15°C	8°C	EEPROM DEFAULT	
FACTORY SETTING	✓				

FOR TEMP. COMPENSATION(HEATING)

SW2	ON	ON	ON	ON	ON
CODE	6°C	2°C	4°C	EEPROM DEFAULT	
FACTORY SETTING	✓				

FOR SETTING AUTO-RESTART

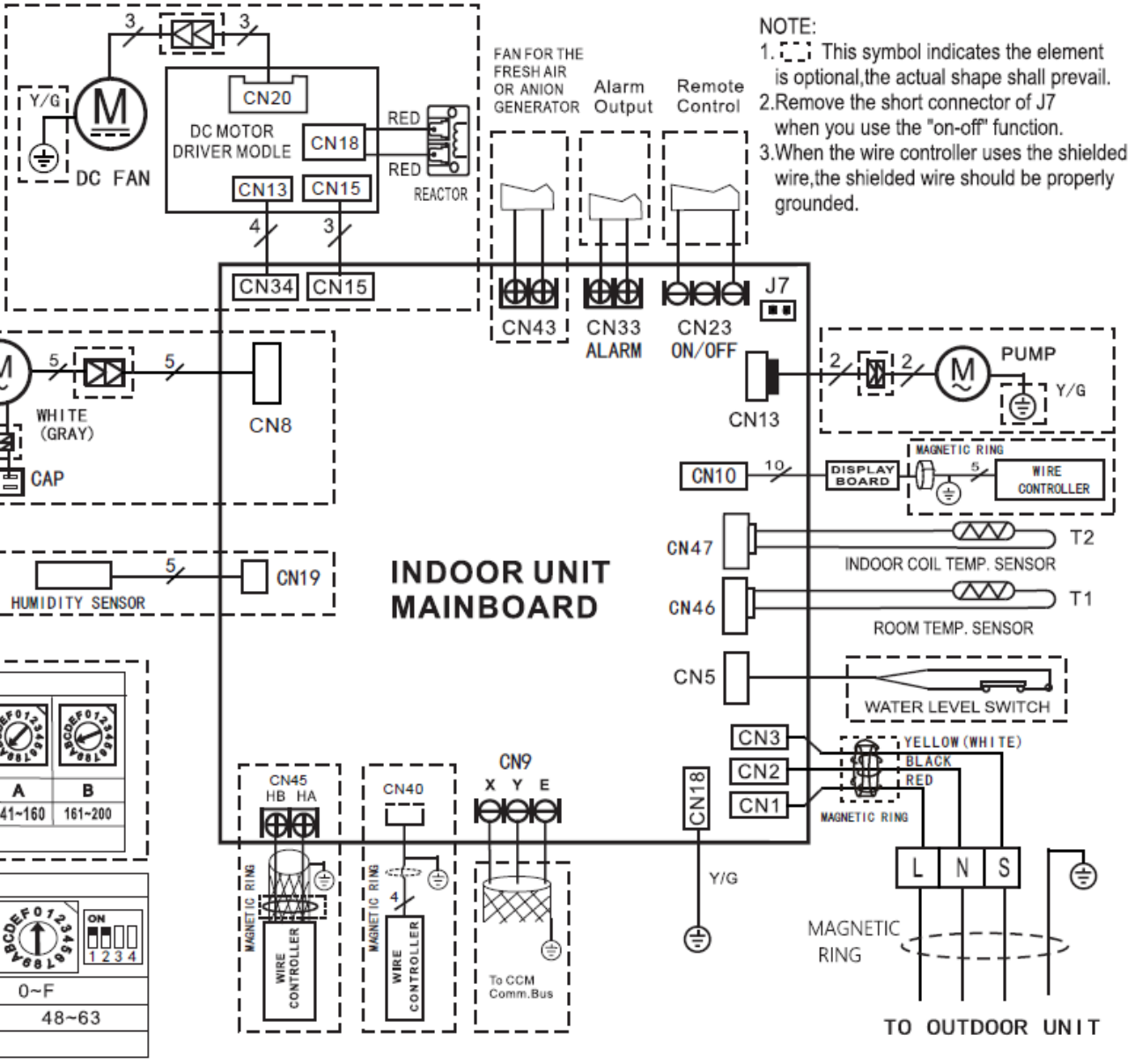
SW8	ON	ON	ON
MODE	AUTO-RESTART	NOT AUTO-RESTART	
FACTORY SETTING	✓		

FOR SETTING POWER(DC MOTOR MODEL ONLY)

ENC1										
CODE	0	1	2	4	5	7	8	9	A	B
POWER	20	26	32-35	36-53	54-71	72-90	91-105	106-140	141-160	161-200
FACTORY SETTING	ACCORDING TO RELATED MODEL.									

FOR SETTING NETADDRESS

S1+SW8				
CODE	0~F	0~F	0~F	0~F
NETADDRESS	0~15	16~31	32~47	48~63
FACTORY SETTING	✓			

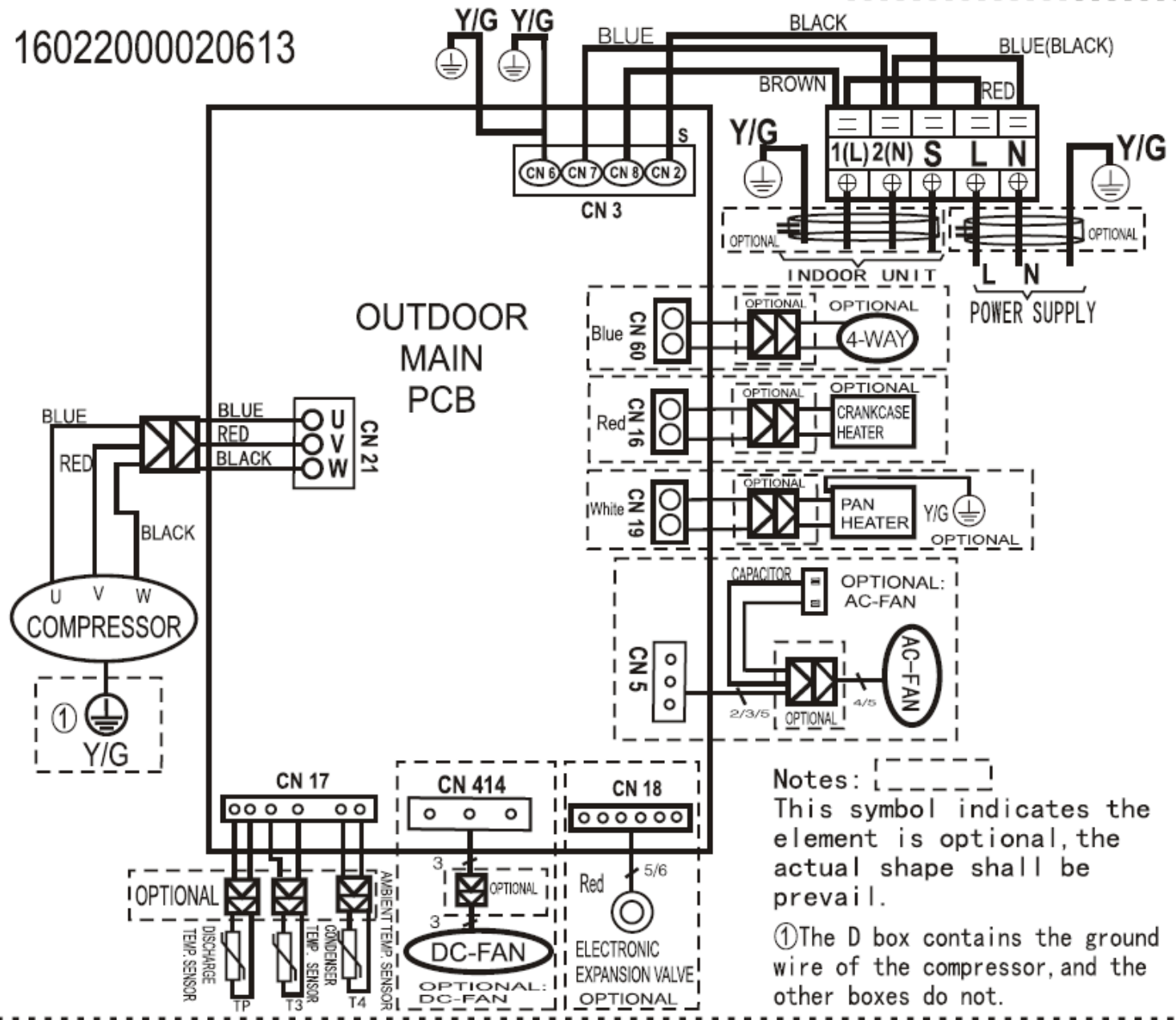


Model:	
	ATI-71HRDC1C
	Wiring diagram



1

16022000020613



Notes: []
 This symbol indicates the element is optional, the actual shape shall be prevail.
 ① The D box contains the ground wire of the compressor, and the other boxes do not.

Model:	
	AOU-71HRDC1C
	Wiring diagram

