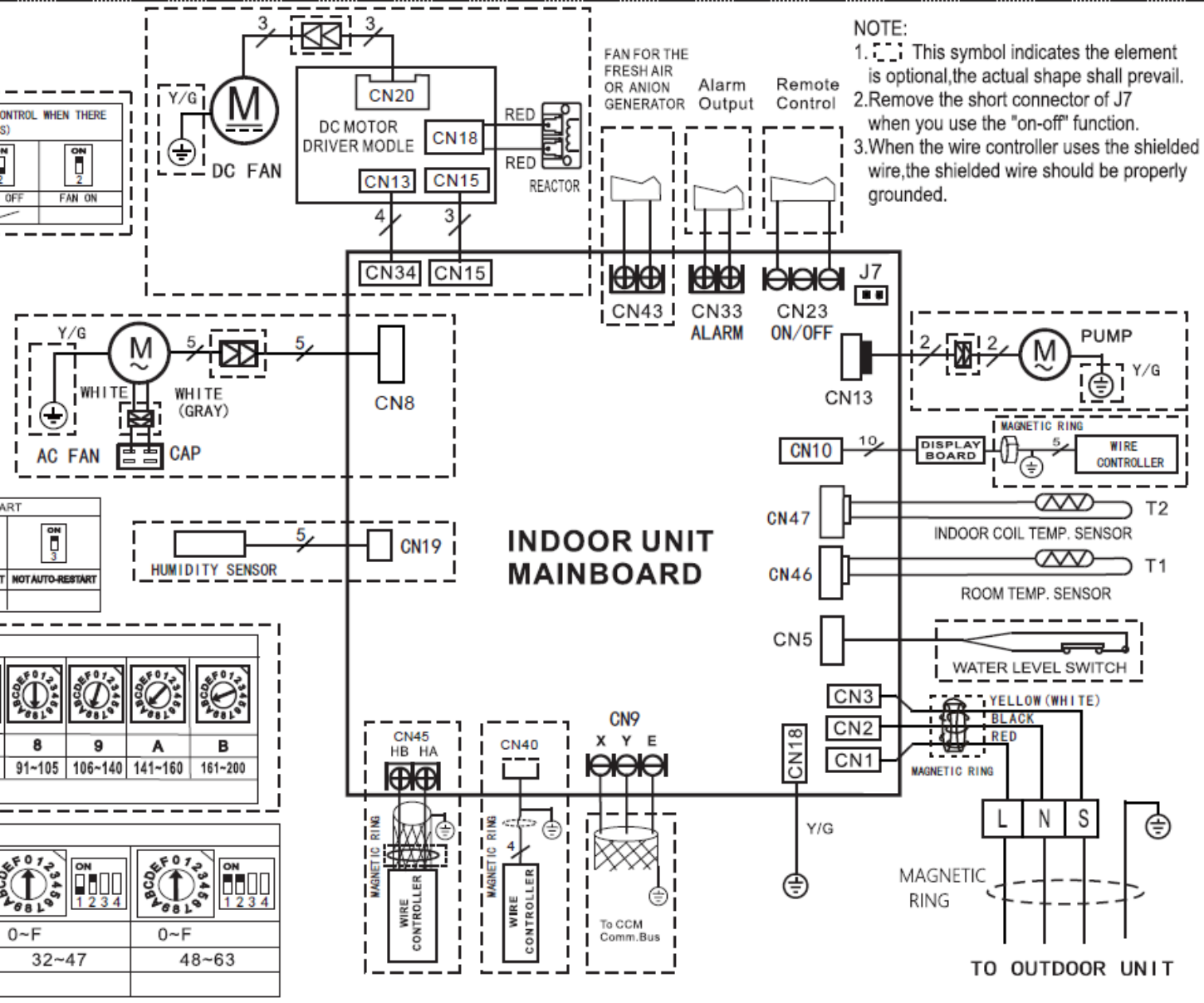


16023000014052
WIRING DIAGRAM

FOR COOLING/HEATING OR COOLING ONLY MODE SETTING			FOR SETTING FAN MOTOR CONTROL WHEN THERE IS NO DEMAND (SOME MODELS)		
SW1	ON	ON	ON	ON	ON
MODE	COOLING/HEATING	COOLING ONLY	MODE	FAN OFF	FAN ON
FACTORY SETTING	✓		FACTORY SETTING	✓	
FOR MAIN-SLAVE SETTING			FOR ANTI-COLD WIND		
SW1	ON	ON	ON	ON	ON
MODE	MAIN NO SLAVE	MAIN	MAIN	SLAVE	
FACTORY SETTING	✓				
SW2	ON	ON	ON	ON	ON
TELO	24°C	15°C	8°C	EEPROM DEFAULT	
FACTORY SETTING	✓				
FOR TEMP. COMPENSATION/HEATING)			FOR SETTING AUTO-RESTART		
SW2	ON	ON	ON	ON	ON
CODE	6°C	2°C	4°C	EEPROM DEFAULT	
FACTORY SETTING	✓				
FOR SETTING POWER(DC MOTOR MODEL ONLY)					
ENC1	0	1	2	4	5
CODE	0	1	2	4	5
POWER	20	26	32-35	36-53	54-71
FACTORY SETTING	ACCORDING TO RELATED MODEL.				
FOR SETTING NETADDRESS					
S1+SW8	ON	ON	ON	ON	ON
CODE	0~F	0~F	0~F	0~F	
NETADDRESS	0~15	16~31	32~47	48~63	
FACTORY SETTING	✓				



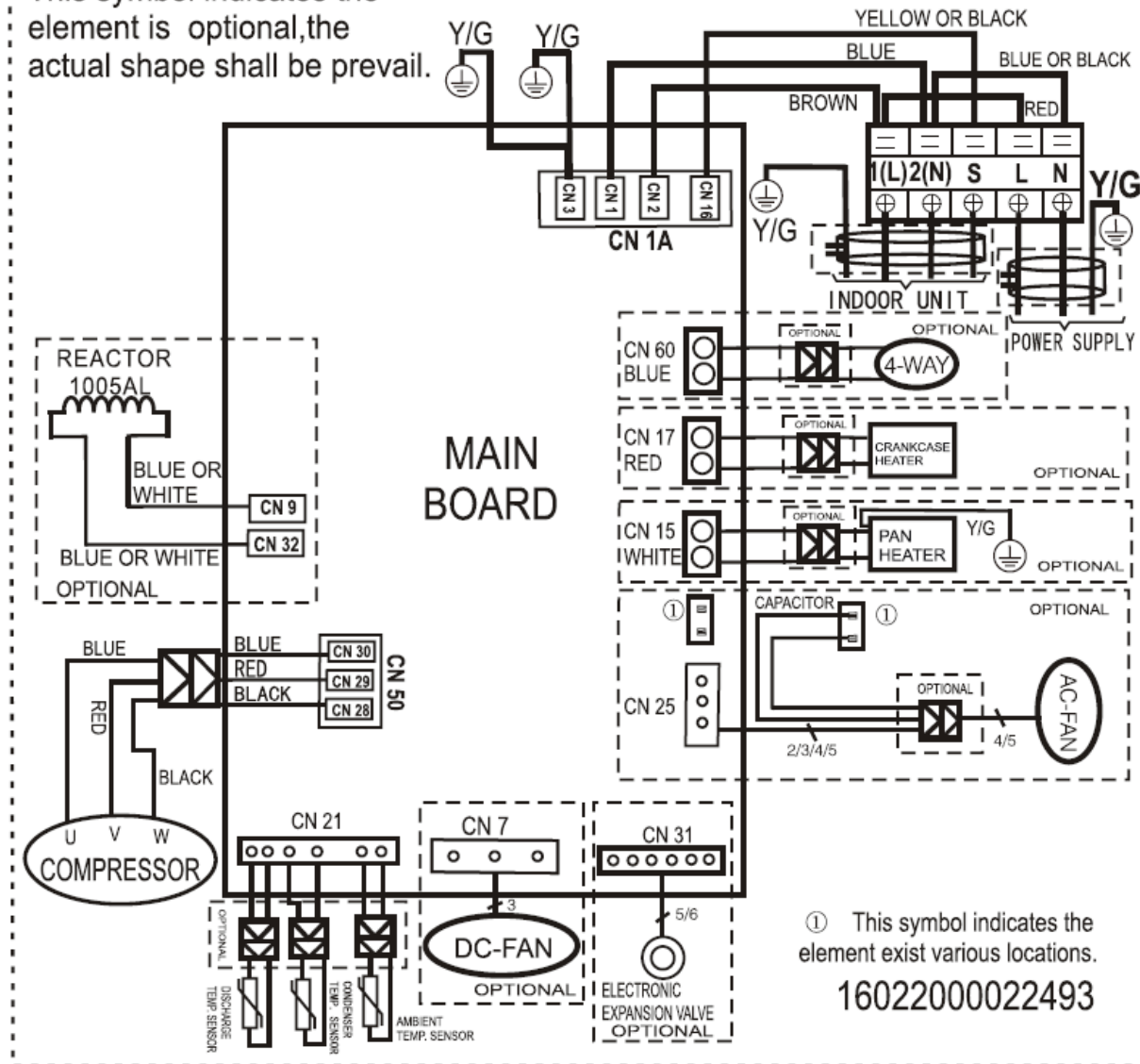
NOTE:
 1. This symbol indicates the element is optional, the actual shape shall prevail.
 2. Remove the short connector of J7 when you use the "on-off" function.
 3. When the wire controller uses the shielded wire, the shielded wire should be properly grounded.

Model:	
	ATI-53HRDC1C
	Wiring diagram



Notes: ①

This symbol indicates the element is optional, the actual shape shall prevail.



Model:	
	AOU-53HRDC1A
	Wiring diagram

