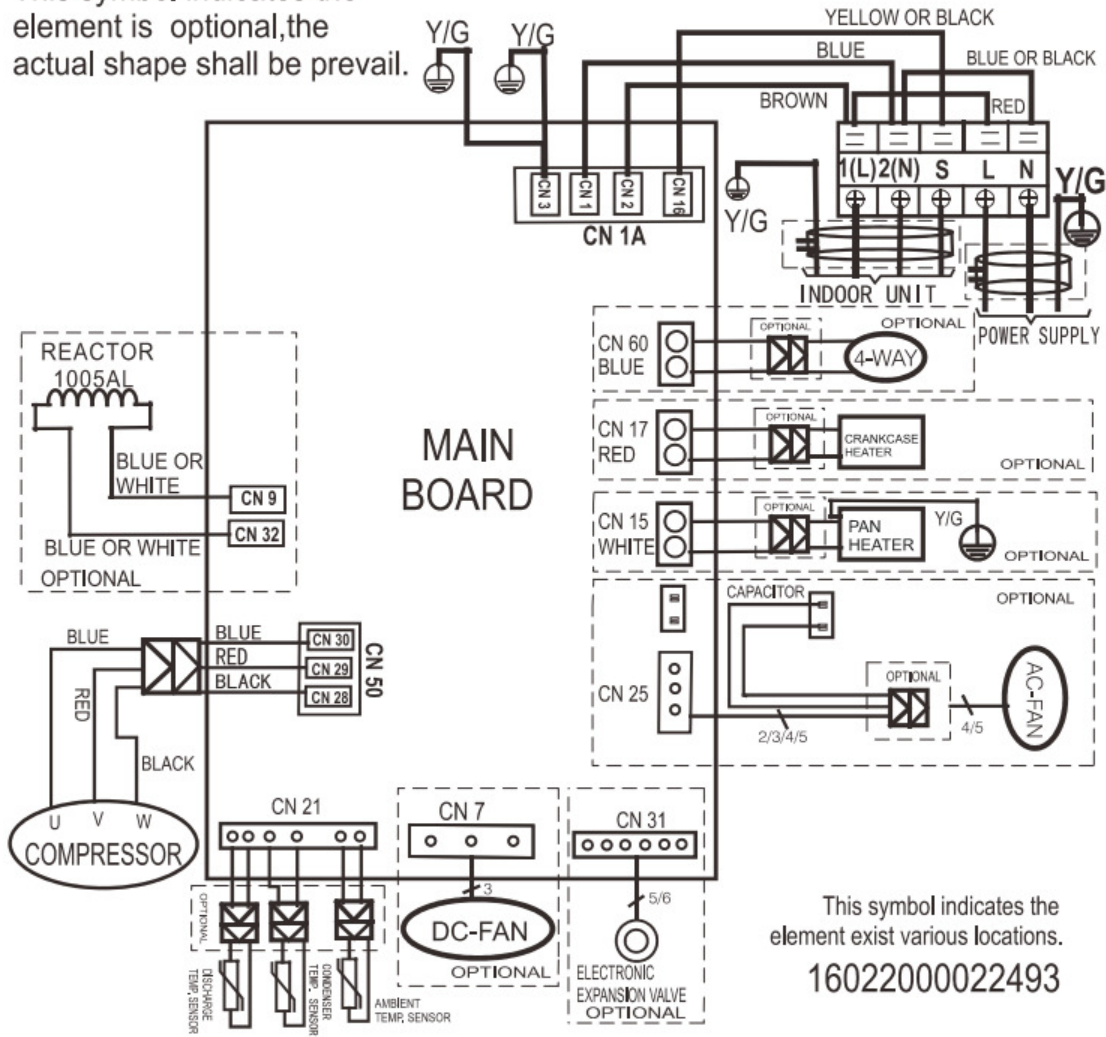



Notes:
 This symbol indicates the element is optional, the actual shape shall be prevail.



This symbol indicates the element exist various locations.
 16022000022493

Model:	
AOU-35HRDC1A	
Wiring diagram	1