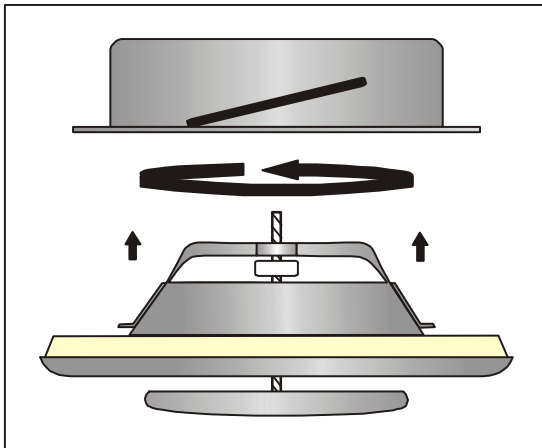


EXHAUST AIR VALVE DVS

TECHNICAL DATA

DVS is an exhaust valve suitable for houses, offices etc.

- Good adjusting features
- Low noise level
- Quick and easy to install
- Airflow easy to measure



CONSTRUCTION

The **DVS** is manufactured from steel sheet, powder coated. Standard color white (RAL 9010). Other color finishes are available to special order quantities.

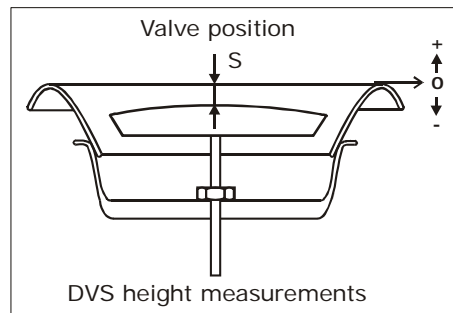
The valve body has a gasket, made of cellular plastic and the control disc, with screw spindle, enables easy regulation and positional locking.

Fixing collar **DVS-F** is manufactured from galvanized steel sheet.

REGULATION AND MEASUREMENTS

Regulation of airflow is achieved by turning the control disc to change adjustment dimension s (mm). The measurement of airflow is made by a pressure difference measurement with a separate measuring tube.

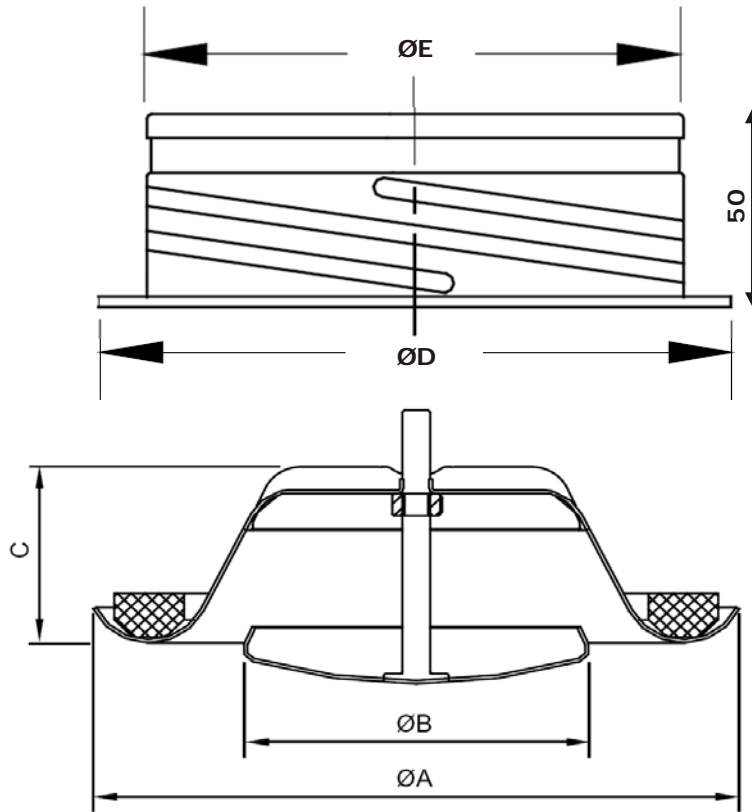
Refer to airflow measurement diagrams for information.



ORDER EXAMPLE: Powder coated valve *including* fixing collar **DVS-F**
Product: DVS
Size: 100
CODE: DVS100

The information contained in this brochure was current on the publication date. The Company reserves the right to make changes in details at any time without prior notice. In order to avoid misunderstandings, any interested party is advised to contact the Company checking for any changes in materials and/or information after this brochure was published.

Version 2006 www.decinternational.com

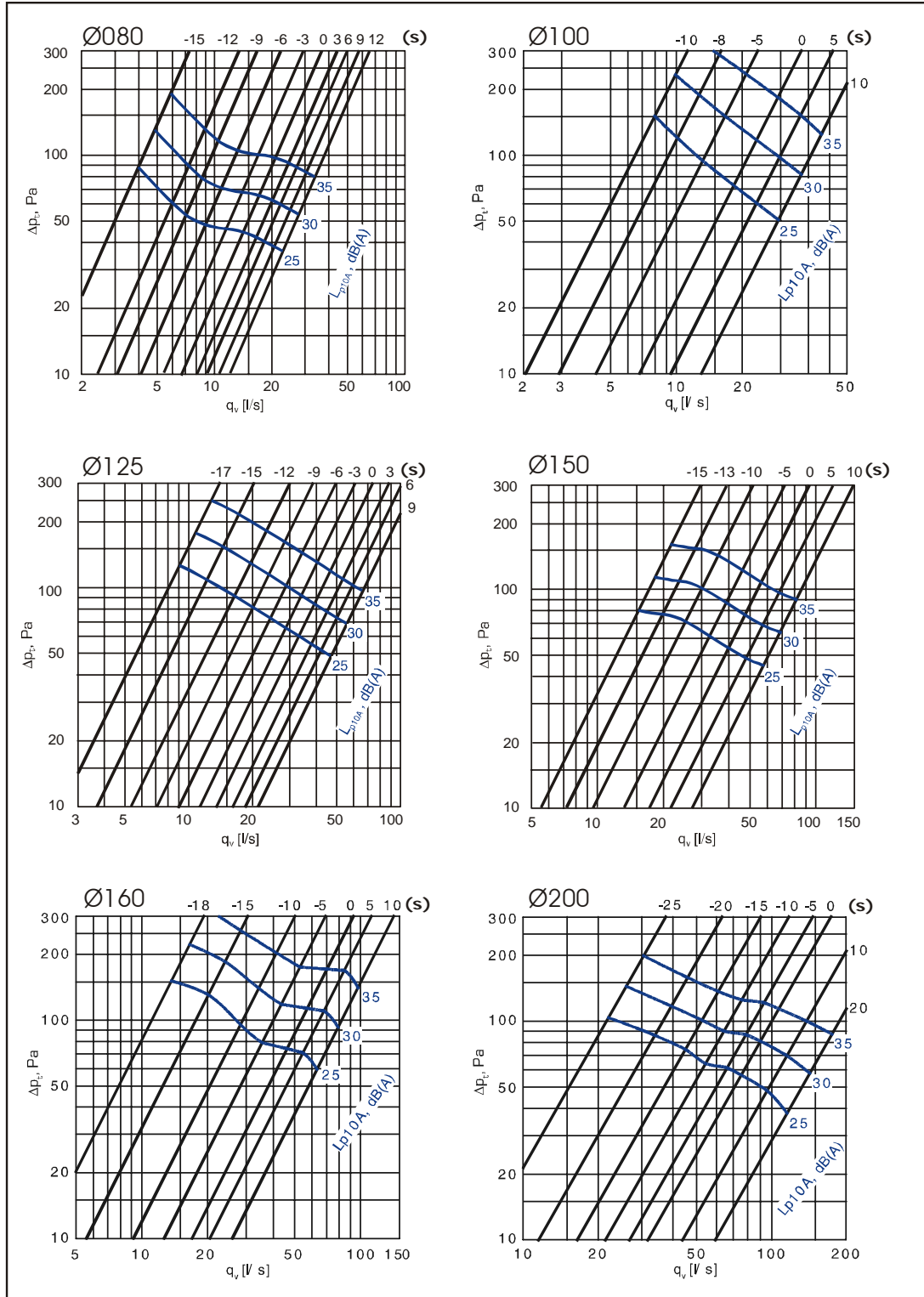


DIMENSIONS IN MILLIMETRES

DVS	Ø 080	Ø 100	Ø 125	Ø150	Ø 160	Ø200
A	116	140	170	202	202	254
B	60	75	99	119	119	157
C	40	40	46	54	54	64
Weight	150 gr	160 gr	230 gr	340 gr	340 gr	510 gr
D	105	125	150	175	185	225
E	79	99	124	149	159	199
Weight	80 gr	100 gr	120 gr	180 gr	190 gr	240 gr

The information contained in this brochure was current on the publication date. The Company reserves the right to make changes in details at any time without prior notice. In order to avoid misunderstandings, any interested party is advised to contact the Company checking for any changes in materials and/or information after this brochure was published.

Version 2006 www.decinternational.com



DVS 3.5a

The information contained in this brochure was current on the publication date. The Company reserves the right to make changes in details at any time without prior notice. In order to avoid misunderstandings, any interested party is advised to contact the Company checking for any changes in materials and/or information after this brochure was published.

Version 2006 www.decinternational.com

SOUND POWER LEVEL L_w

DVS	CORRECTION K_{oct} (dB)						
	Middle frequency by octave band (Hz)						
	125	250	500	1000	2000	4000	8000
080	1	-2	1	0	-3	-10	-22
100	5	-2	-3	-3	0	-8	-20
125	-6	0	0	-3	0	-13	-25
150	-6	-5	-4	0	-1	-13	-28
160	1	-1	-3	1	-2	-15	-32
200	3	1	-1	1	-4	-12	-25
Tol. +/-	3	2	2	2	2	2	3

Sound power levels by octave bands are obtained by adding to total sound pressure level L_{p10A} , dB(A) the corrections K_{oct} presented in the table according to the following formula:

$$L_{woct} = L_{p10A} + K_{oct}$$

Correction K_{oct} is average value in range of use of **DVS** unit.

DEFINITIONS

q_v	air volume	(m ³ /h)
ϕp_t	total pressure drop	(Pa)
L_{p10A}	sound pressure level with 4 dB room attenuation (10 m ² sab)	[dB(A)]
L_{woct}	sound power level by octave bands	(dB)
ϕL	sound attenuation	(dB)
K_{oct}	correction	(dB)

SOUND ATTENUATION ΔL

DVS	Adjustment s (mm)	Middle frequency by octave band (Hz)							
		63	125	250	500	1000	2000	4000	8000
		080	-9	24	20	14	10	8	5
	0	24	19	13	9	6	3	4	5
	12	24	19	13	9	5	2	3	4
100	-10	23	19	14	12	11	10	13	14
	0	23	16	11	8	7	6	9	8
	10	23	16	11	7	5	4	7	8
125	-17	20	19	13	10	7	7	11	14
	0	18	16	10	6	4	4	5	8
	9	19	16	9	6	3	3	5	7
150	-15	21	14	11	8	6	6	8	8
	0	20	13	9	6	4	4	7	6
	10	16	14	9	4	3	2	7	7
160	-15	18	13	11	7	6	6	8	8
	-10	18	13	10	6	5	5	7	7
	0	17	13	9	5	4	3	6	6
200	-15	17	12	8	7	6	7	8	9
	-5	17	11	7	6	5	6	6	8
	0	17	11	7	5	5	6	6	7
Tol. ±	6	3	2	2	2	2	2	2	3

The average sound attenuation ΔL from duct to room including the end reflection of the connecting duct in ceiling installation is obtained in the table above.

The information contained in this brochure was current on the publication date. The Company reserves the right to make changes in details at any time without prior notice. In order to avoid misunderstandings, any interested party is advised to contact the Company checking for any changes in materials and/or information after this brochure was published.

Version 2006 www.decinternational.com